



UNDERMOUNT
SLIDE SERIES

MAGIC-MOVE

MAGIC-MOVE

Soft-close, synchronization, silent system
**Perfect Motion for
Drawers**



- DTC Magic-Move Soft-close Undermount Slides, full extension with integrated synchronization silent system.
- 3D adjustment - First Choice for Quality kitchen cabinets and wardrobes.
- Dynamic Loading Capacity: 40/60kg



Quietness



Intelligence



Durability



Eco-Friendliness

MAGIC-MOVE

TS10 Series Synchronized Full Extension Undermount Slides with Locking Device



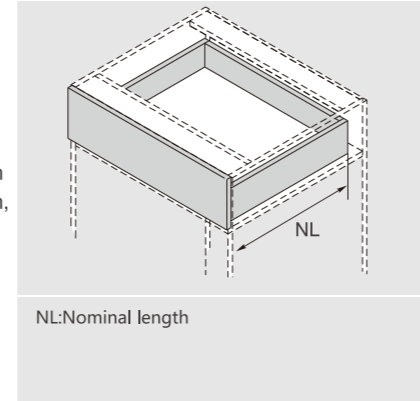
PRODUCT



DESCRIPTION

- Load capacity: 40kg
- Finish: zink plated
- Length: 250-600mm, full extension
- Silent system guarantees smooth run without noise
- 2D adjustment, up&down: 0-2.5mm, side: ± 1.5mm
- 3D adjustment, up&down: 0-2.5mm, side: ± 1.5mm, depth: 0-3mm
- Maximum drawer side thickness: 16mm

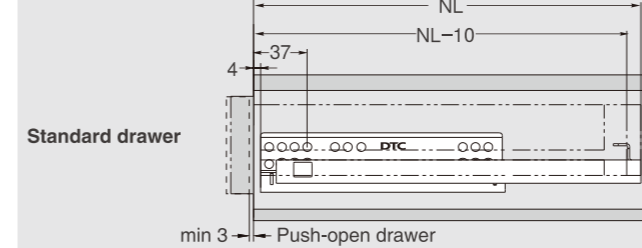
SPACE REQUIREMENT



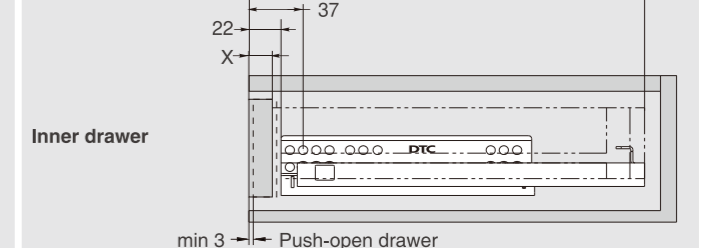
PLANNING

Installation Dimensions(mm)

NL=Nominal Slide Length
LT=Internal Cabinet Depth
LT=NL+3



NL=Nominal Slide Length
LT=Internal Cabinet Depth
LT=NL+21



SOFT CLOSE DRAWER/PUSH-OPEN DRAWER

1		Slides (left/right)			
Pre-zinc Steel (F02)					
NL	Soft close item No.	Set/ctn	Push-open item No.	Set/ctn	
250mm	TS10250H	10	TF10250H	6	
270mm	TS10270H	10	TF10270H	6	
300mm	TS10300H	10	TF10300H	6	
320mm	TS10320H	10	TF10320H	6	
350mm	TS10350H	10	TF10350H	6	
380mm	TS10380H	10	TF10380H	6	
400mm	TS10400H	10	TF10400H	6	
420mm	TS10420H	10	TF10420H	6	
450mm	TS10450H	10	TF10450H	6	
480mm	TS10480H	10	TF10480H	6	
500mm	TS10500H	10	TF10500H	6	
520mm	TS10520H	10	TF10520H	6	
550mm	TS10550H	10	TF10550H	6	
600mm	TS10600H	10	TF10600H	6	

2

2D Locking Device (Left/Right)

Grey(H11)

Item No. **0TSD01-A**

2

3D Locking Device (Left/Right)

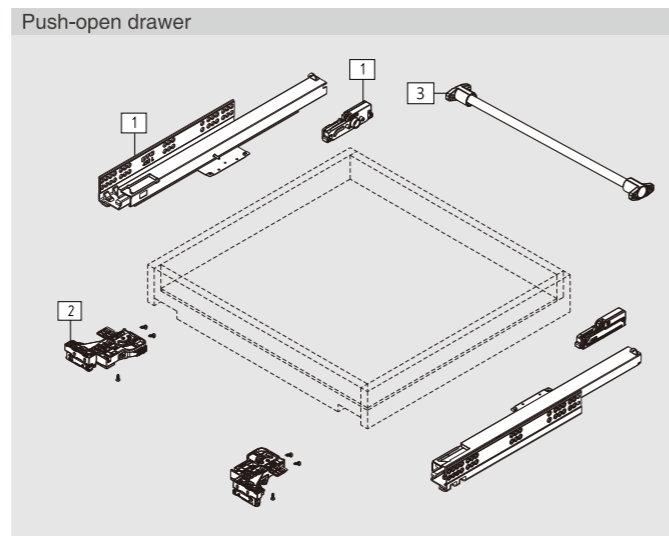
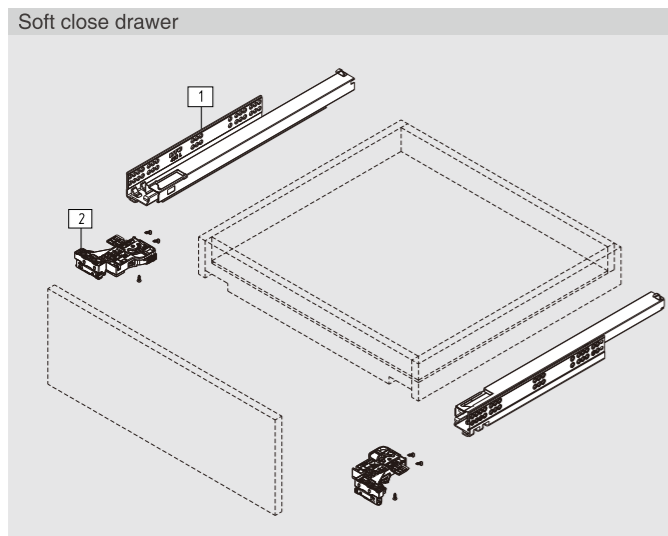
Grey(H11)

Item No. **0TSD02-A**

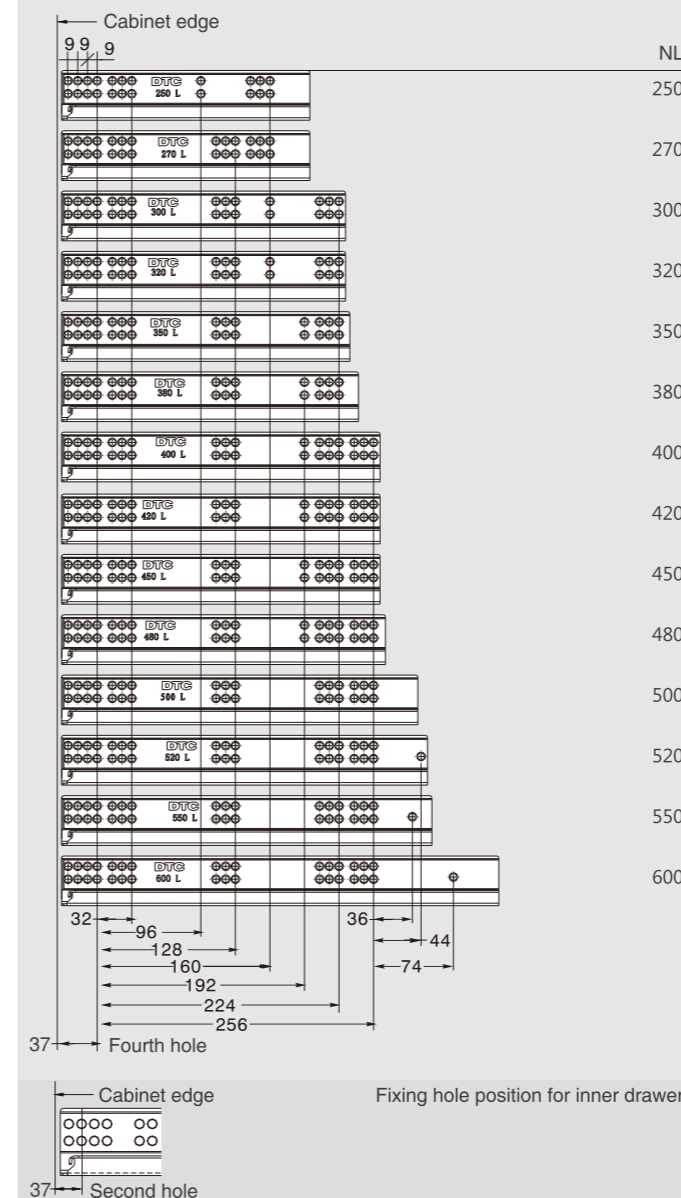
3

Rod for Push-open Synchronization
(For cutting to size, 1100mm.
Cutting: Internal cabinet width LW-172)

Item No. **HT0FH02**

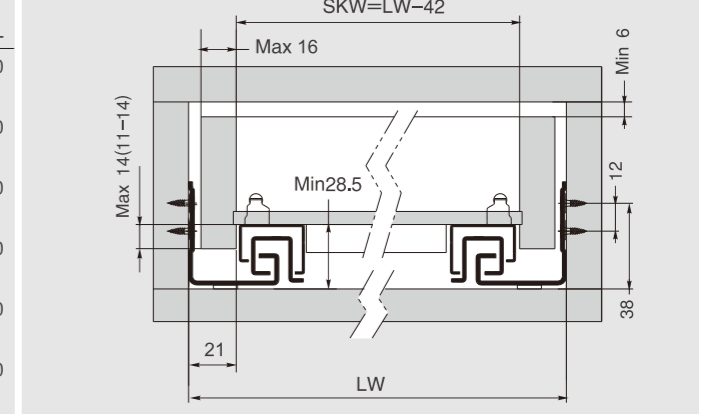


Screw Positions of the Slides(mm)

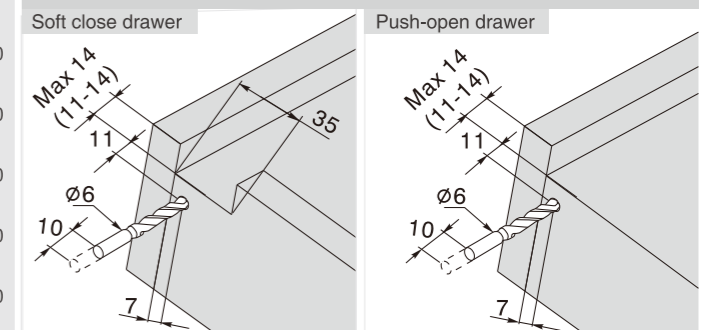


Installation Dimensions(mm)

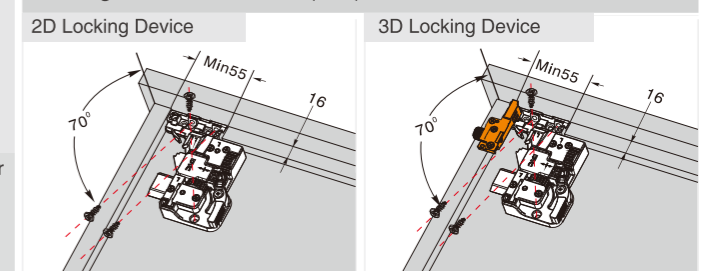
SKW=Internal Drawer Width
LW=Internal Cabinet Width



Drawer Back Preparation(mm)



Locking Device Installation(mm)



MAGIC-MOVE

TS80 Series Synchronized Series Full Extension Undermount Slides with Locking Device



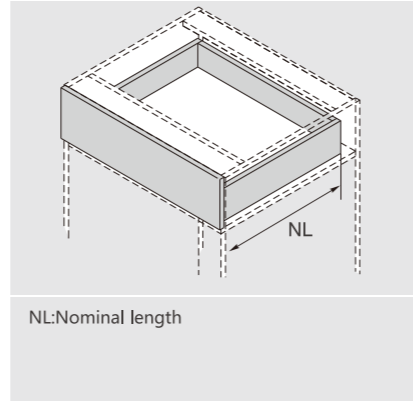
PRODUCT



DESCRIPTION

- Load capacity: 40kg
- Finish: zink plated
- Length: 250-600mm, full extension
- Silent system guarantees smooth run without noise
- 2D adjustment, up&down:0-2.5mm, side:± 1.5mm
- 3D adjustment, up&down:0-2.5mm, side:± 1.5mm, depth: 0-3mm
- Maximum drawer side thickness:19mm

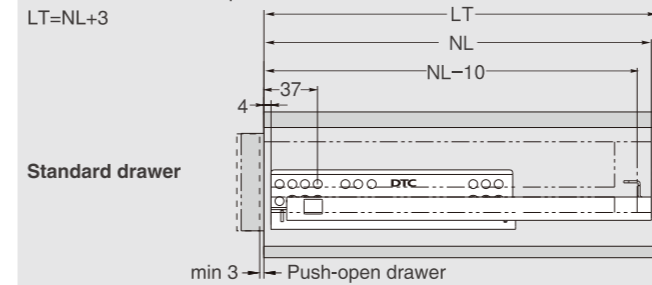
SPACE REQUIREMENT



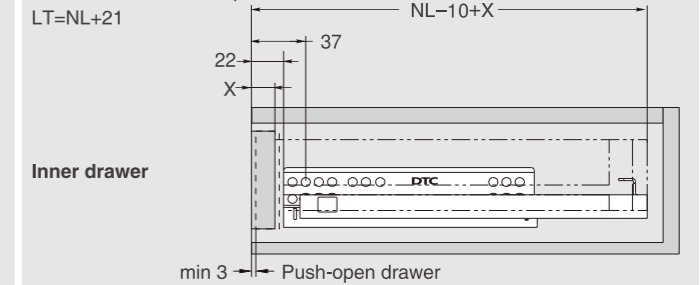
PLANNING

Installation Dimensions(mm)

NL=Nominal Slide Length
LT=Internal Cabinet Depth
LT=NL+3



NL=Nominal Slide Length
LT=Internal Cabinet Depth
LT=NL+21



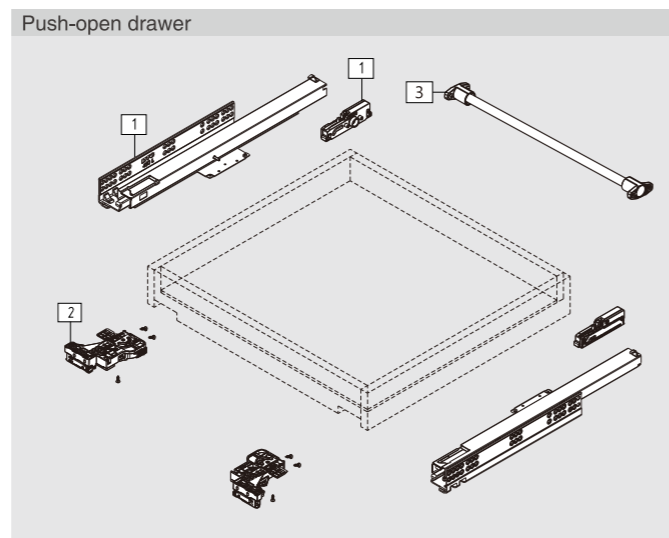
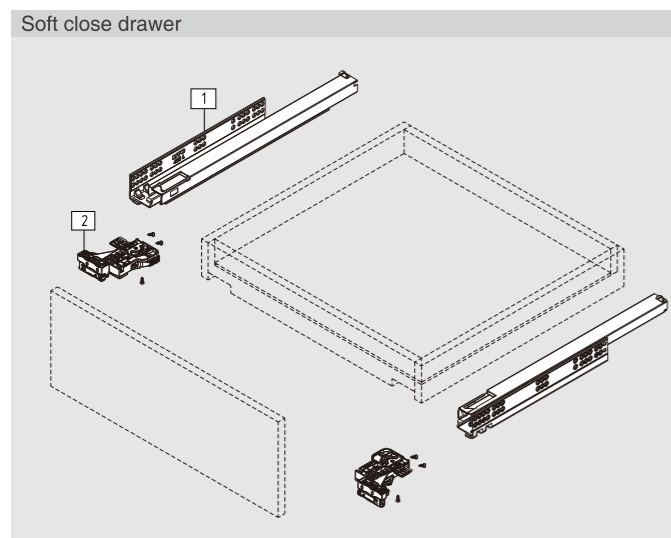
SOFT CLOSE DRAWER/PUSH-OPEN DRAWER

1 Slides (left/right)					
Pre-zinc Steel (F02)					
NL	Soft close item No.	Set/ctn	Push-open item No.	Set/ctn	
250mm	TS80250H	10	TF80250H	6	
270mm	TS80270H	10	TF80270H	6	
300mm	TS80300H	10	TF80300H	6	
320mm	TS80320H	10	TF80320H	6	
350mm	TS80350H	10	TF80350H	6	
380mm	TS80380H	10	TF80380H	6	
400mm	TS80400H	10	TF80400H	6	
420mm	TS80420H	10	TF80420H	6	
450mm	TS80450H	10	TF80450H	6	
480mm	TS80480H	10	TF80480H	6	
500mm	TS80500H	10	TF80500H	6	
520mm	TS80520H	10	TF80520H	6	
550mm	TS80550H	10	TF80550H	6	
600mm	TS80600H	10	TF80600H	6	

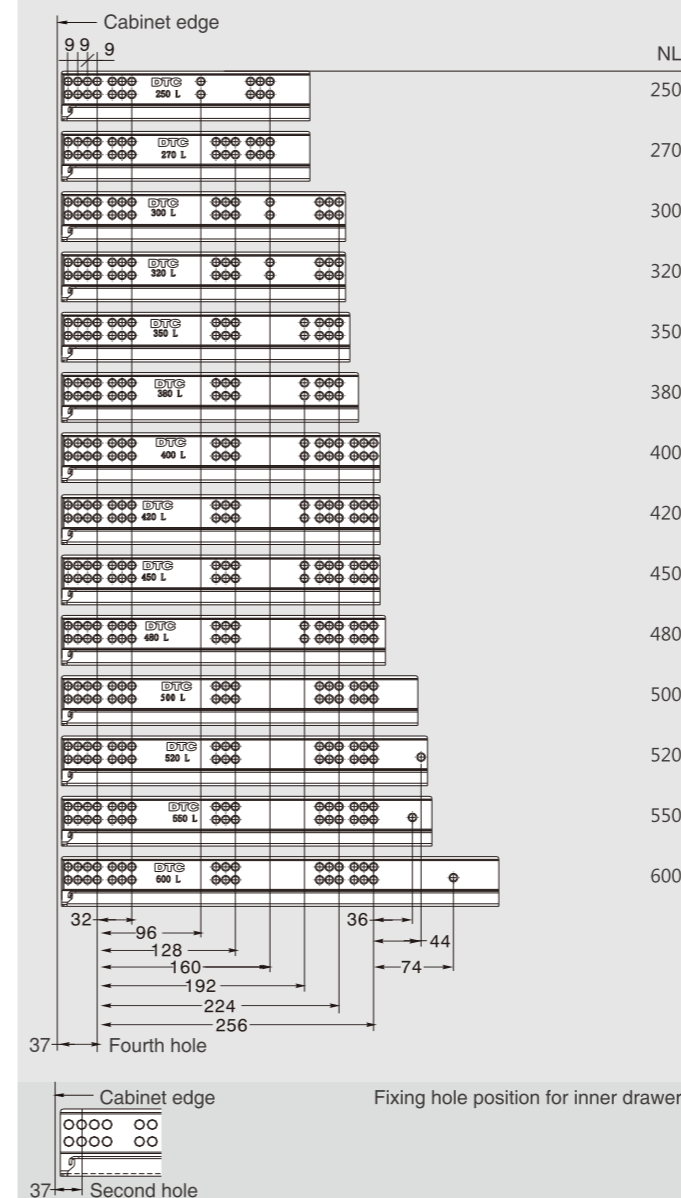
2D Locking Device (Left/Right)	
Grey(H11)	
Item No.	0TSD01-A

3D Locking Device (Left/Right)	
Grey(H11)	
Item No.	0TSD02-A

3 Rod for Push-open Synchronization (For cutting to size,1100mm. Cutting:Internal cabinet width LW-180)	
Item No.	HT0FH02

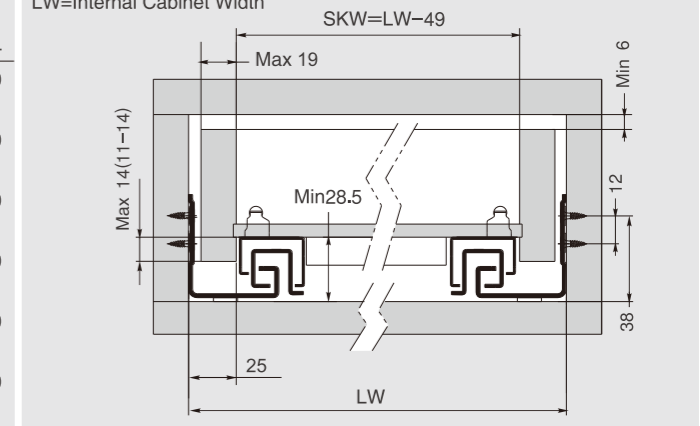


Screw Positions of the Slides(mm)

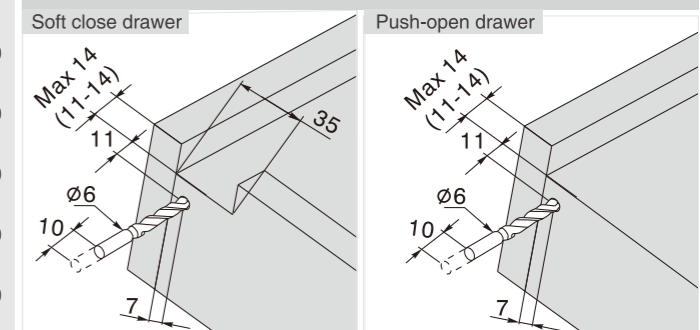


Installation Dimensions(mm)

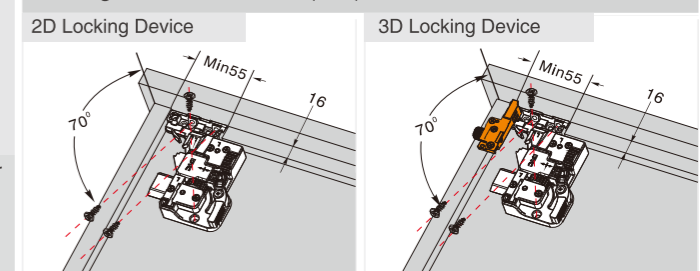
SKW=Internal Drawer Width
LW=Internal Cabinet Width



Drawer Back Preparation(mm)



Locking Device Installation(mm)



MAGIC-MOVE

TS11 Series Synchronized Full Extension Undermount Slides with Locking Device



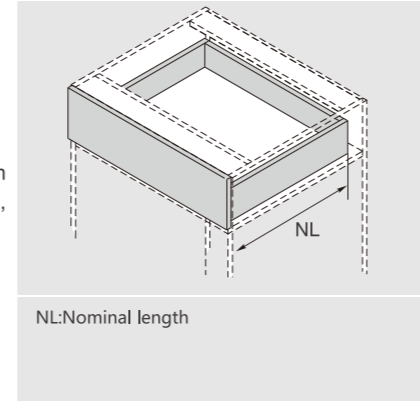
PRODUCT



DESCRIPTION

- Load capacity: 60kg
- Finish: zink plated
- Length: 450-750mm, full extension
- Silent system guarantees smooth run without noise
- 2D adjustment, up&down: 0-2.5mm, side: ± 1.5mm
- 3D adjustment, up&down: 0-2.5mm, side: ± 1.5mm, depth: 0-3mm
- Maximum drawer side thickness: 16mm

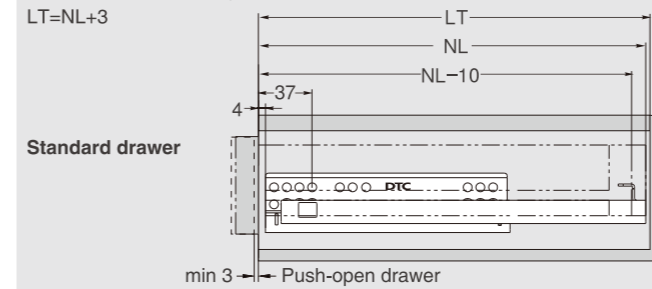
SPACE REQUIREMENT



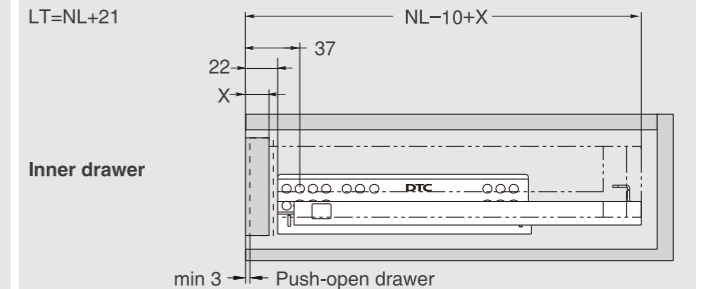
PLANNING

Installation Dimensions(mm)

NL=Nominal Slide Length
 LT=Internal Cabinet Depth
 LT=NL+3



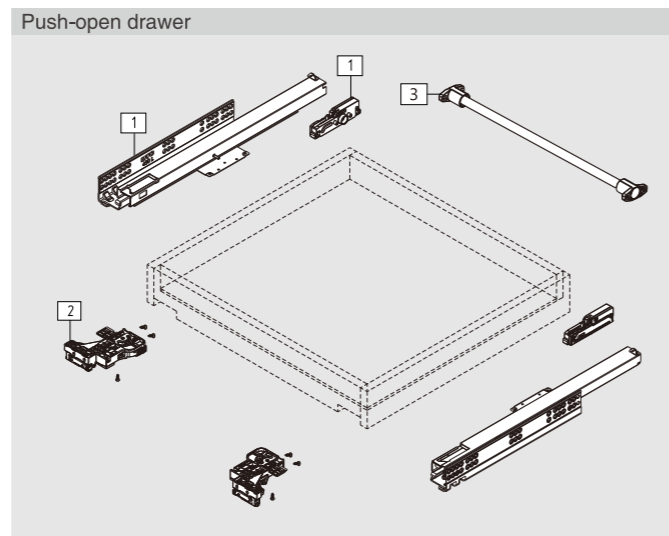
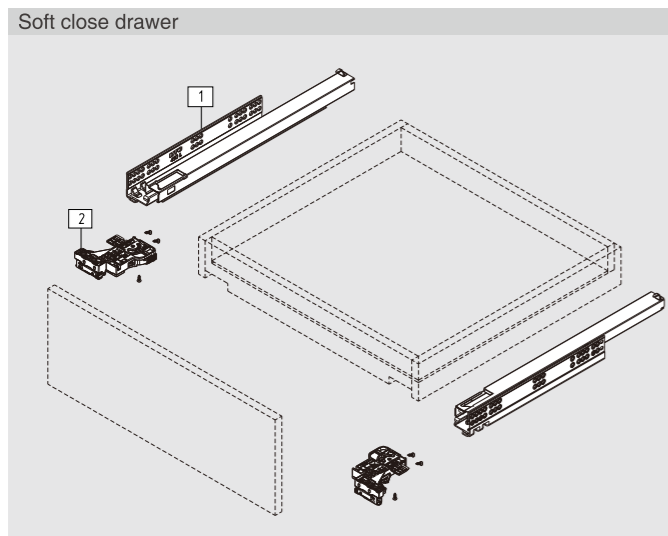
NL=Nominal Slide Length
 LT=Internal Cabinet Depth
 LT=NL+21



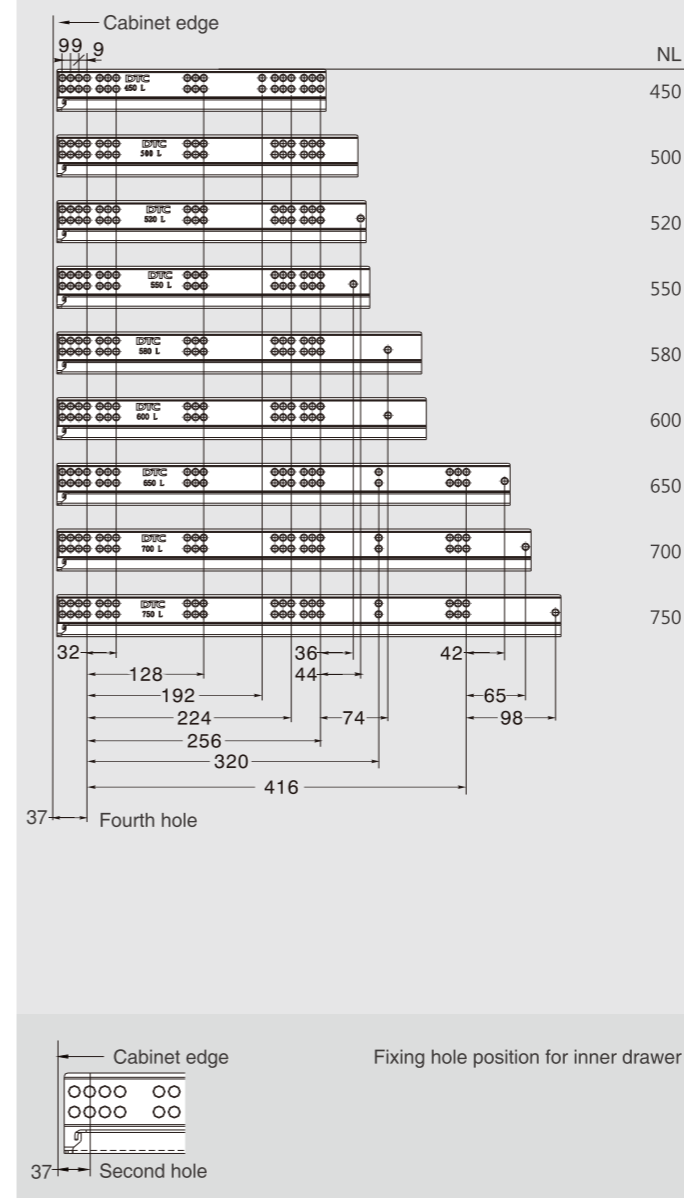
SOFT CLOSE DRAWER/PUSH-OPEN DRAWER

1 Slides (left/right)					
Pre-zinc Steel (F02)					
NL	Soft close item No.	Set/ctn	Push-open item No.	Set/ctn	
450mm	TS11450H	10	TF11450H	6	
480mm	TS11480H	10	TF11480H	6	
500mm	TS11500H	10	TF11500H	6	
520mm	TS11520H	10	TF11520H	6	
550mm	TS11550H	10	TF11550H	6	
580mm	TS11580H	10	TF11580H	6	
600mm	TS11600H	10	TF11600H	6	
650mm	TS11650H	10	TF11650H	6	
700mm	TS11700H	10	TF11700H	6	
750mm	TS11750H	10	TF11750H	6	

	2D Locking Device (Left/Right)	
	Grey(H11)	
	Item No.	0TSD01-A
	3D Locking Device (Left/Right)	
	Grey(H11)	
	Item No.	0TSD02-A
	Rod for Push-open Synchronization (For cutting to size, 1100mm. Cutting: Internal cabinet width LW-172)	
	Item No.	HT0FH02

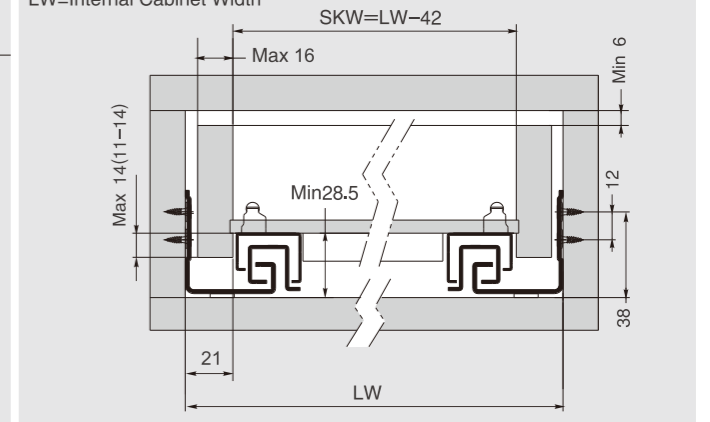


Screw Positions of the Slides(mm)

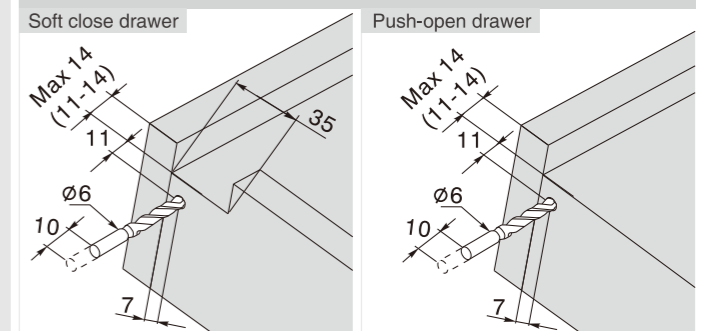


Installation Dimensions(mm)

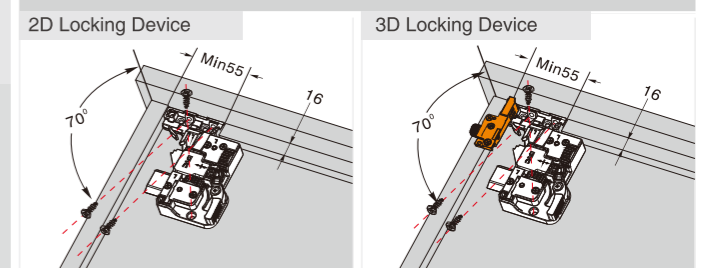
SKW=Internal Drawer Width
 LW=Internal Cabinet Width



Drawer Back Preparation(mm)



Locking Device Installation(mm)



MAGIC-MOVE

TS81 Series Synchronized Full Extension Undermount Slides with Locking Device



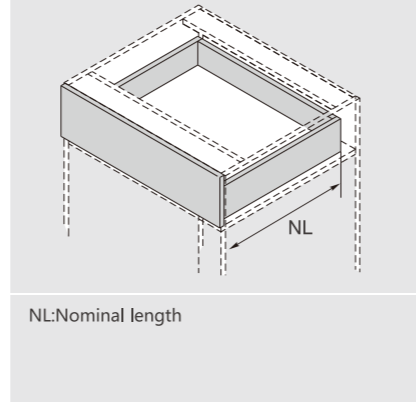
PRODUCT



DESCRIPTION

- Load capacity: 60kg
- Finish: zink plated
- Length: 450-750mm, full extension
- Silent system guarantees smooth run without noise
- 2D adjustment, up&down:0-2.5mm, side:± 1.5mm
- 3D adjustment, up&down:0-2.5mm, side:± 1.5mm, depth: 0-3mm
- Maximum drawer side thickness:19mm

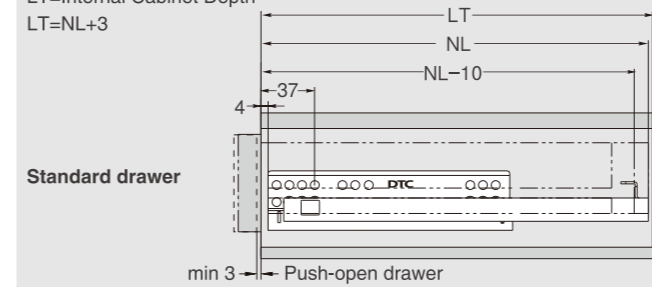
SPACE REQUIREMENT



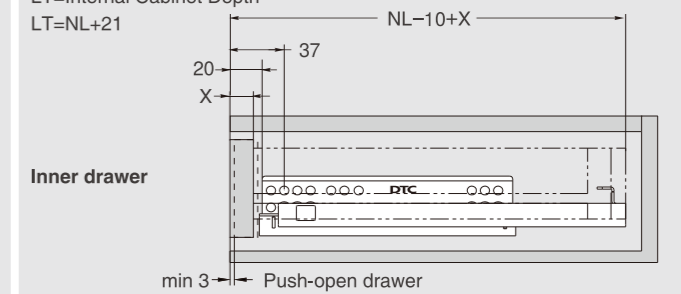
PLANNING

Installation Dimensions(mm)

NL=Nominal Slide Length
LT=Internal Cabinet Depth
LT=NL+3



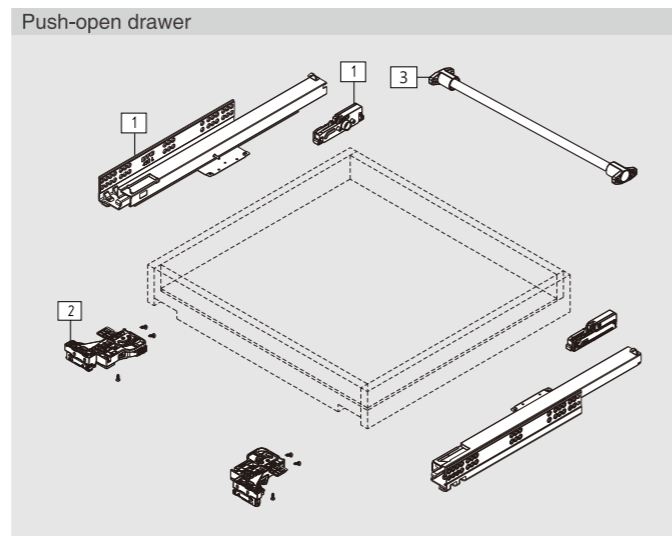
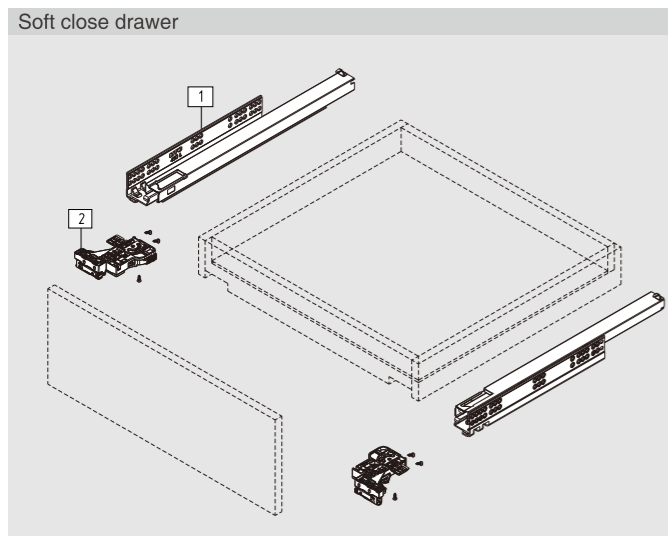
NL=Nominal Slide Length
LT=Internal Cabinet Depth
LT=NL+21



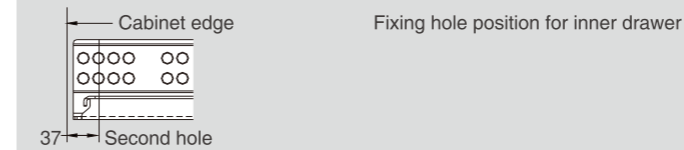
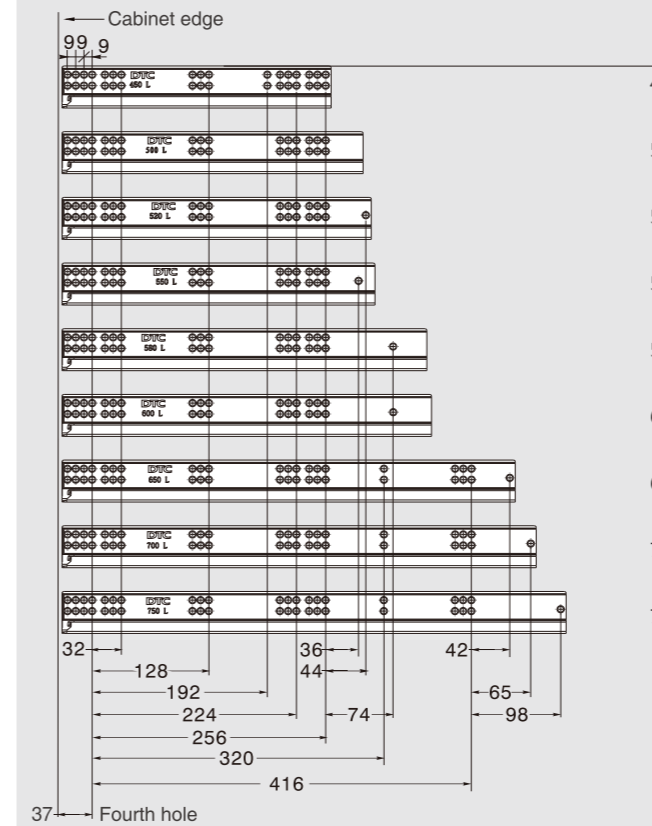
SOFT CLOSE DRAWER/PUSH-OPEN DRAWER

1 Slides (left/right)					
Pre-zinc Steel (F02)					
NL	Soft close item No.	Set/ctn	Push-open item No.	Set/ctn	
450mm	TS81450H	10	TF81450H	6	
480mm	TS81480H	10	TF81480H	6	
500mm	TS81500H	10	TF81500H	6	
520mm	TS81520H	10	TF81520H	6	
550mm	TS81550H	10	TF81550H	6	
580mm	TS81580H	10	TF81580H	6	
600mm	TS81600H	10	TF81600H	6	
650mm	TS81650H	10	TF81650H	6	
700mm	TS81700H	10	TF81700H	6	
750mm	TS81750H	10	TF81750H	6	

	2D Locking Device (Left/Right)	
	Grey(H11)	
	Item No.	0TSD01-A
	3D Locking Device (Left/Right)	
	Grey(H11)	
	Item No.	0TSD02-A
	Rod for Push-open Synchronization (For cutting to size,1100mm. Cutting:Internal cabinet width LW-180)	
	Item No.	HT0FH02

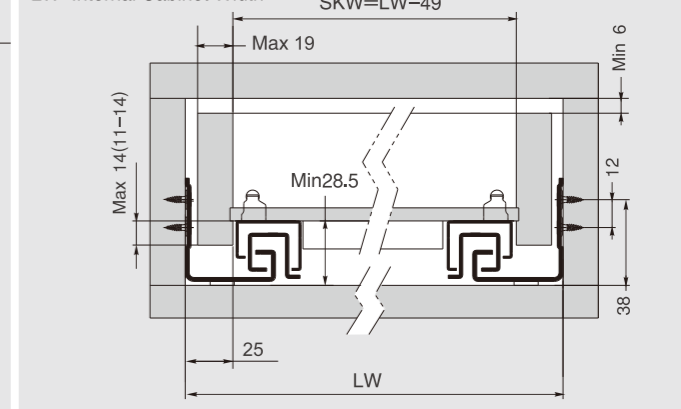


Screw Positions of the Slides(mm)

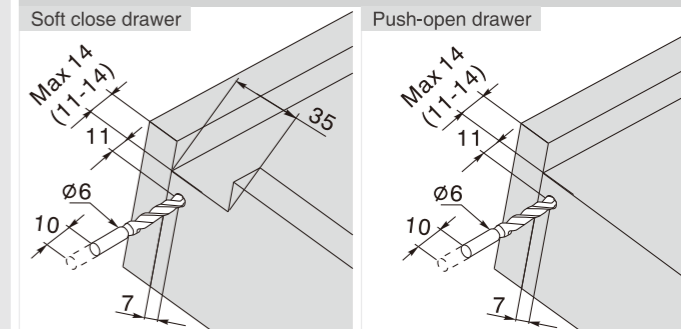


Installation Dimensions(mm)

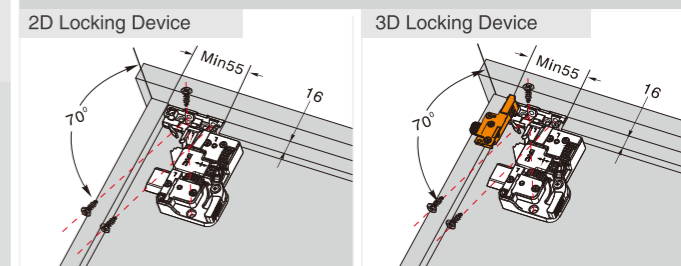
SKW=Internal Drawer Width
LW=Internal Cabinet Width



Drawer Back Preparation(mm)



Locking Device Installation(mm)

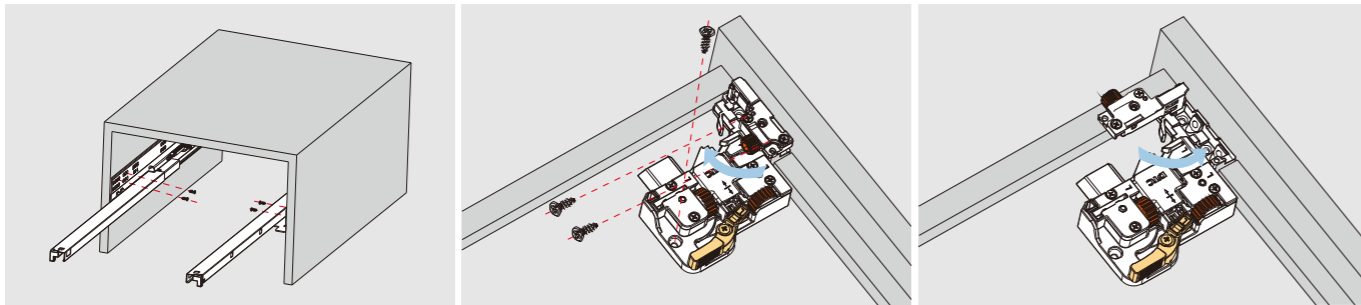


ASSEMBLY AND ADJUSTMENT

Assembly and Adjustment(for MAGIC-MOVE)



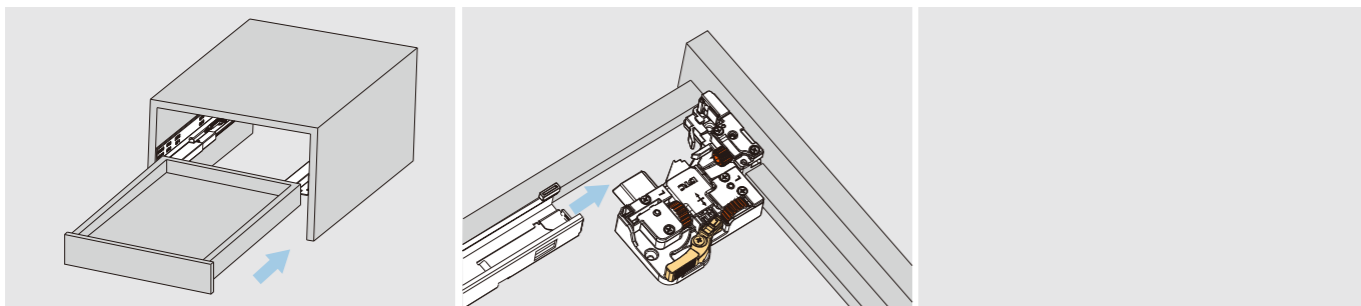
Drawer Assembly with 3D Adjustment Locking Device



Fix the slide onto the cabinet.

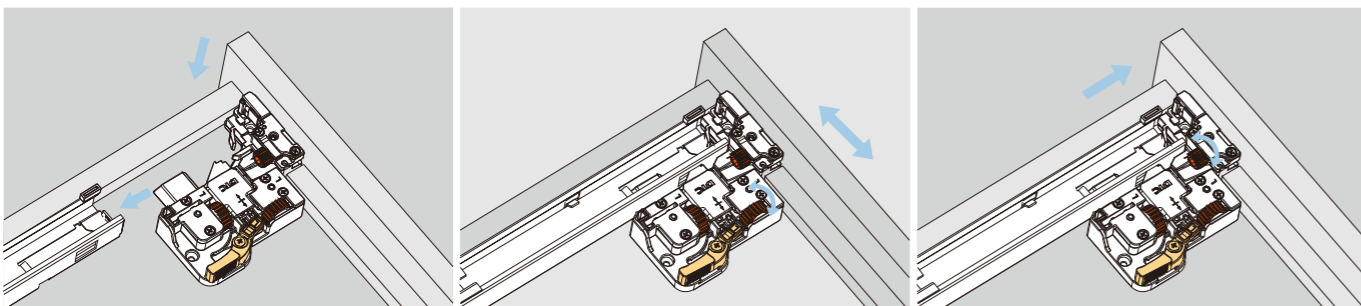
Move out the adjusting part and fix the locking device onto the drawer bottom.
Put the adjusting part back and tighten the screws.

Drawer Assembly with 3D Adjustment Locking Device



Lay the drawer bottom onto the slide then push the drawer into the cabinet.

Adjustment

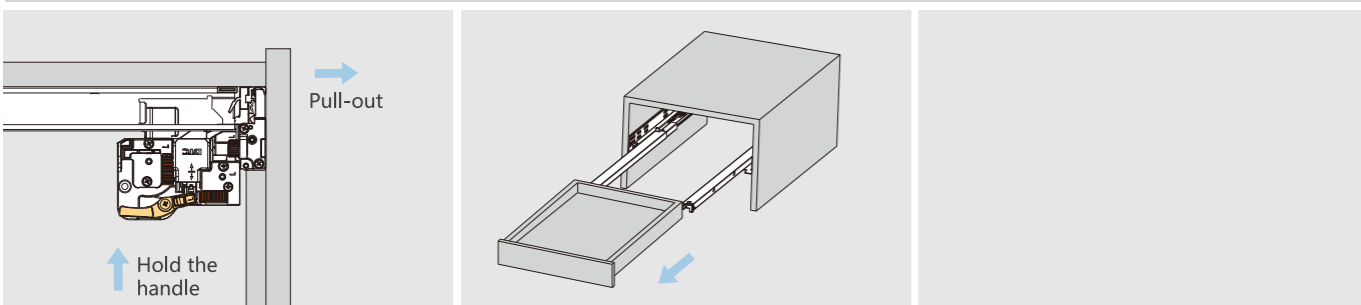


Up&down adjustment

Side adjustment

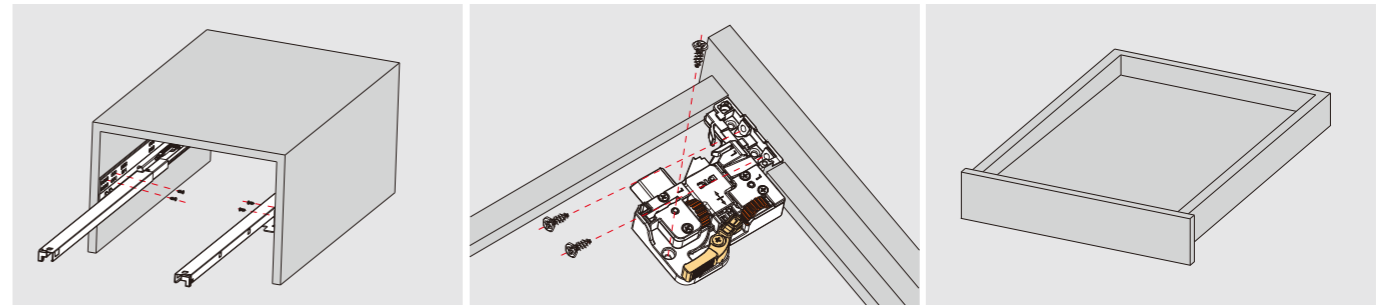
Depth adjustment

Removal



For removal, hold the handle and pull out the drawer.

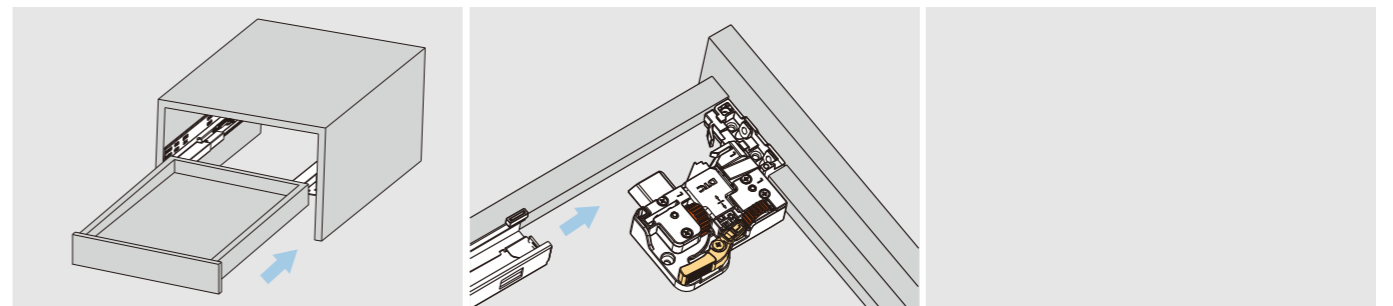
Drawer Assembly with 2D Adjustment Locking Device



Fix the slide onto the cabinet.

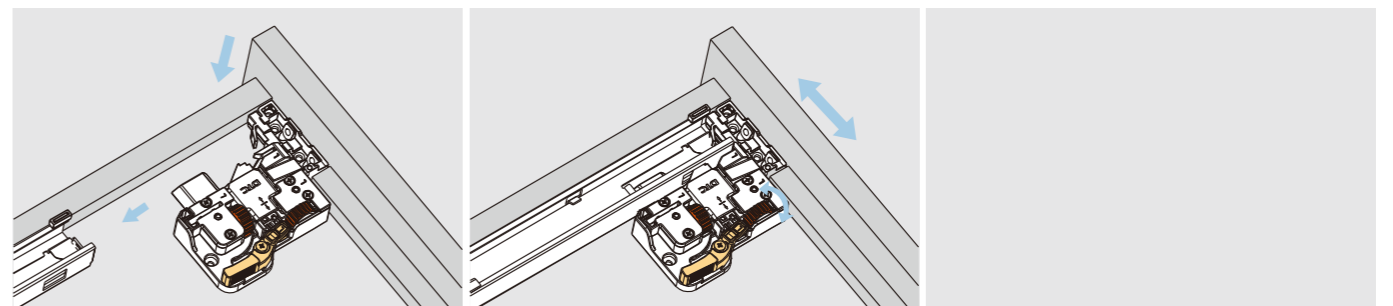
Fix the locking device onto the drawer bottom.

Drawer Assembly with 2D Adjustment Locking Device



Lay the drawer bottom onto the slide then push the drawer into the cabinet.

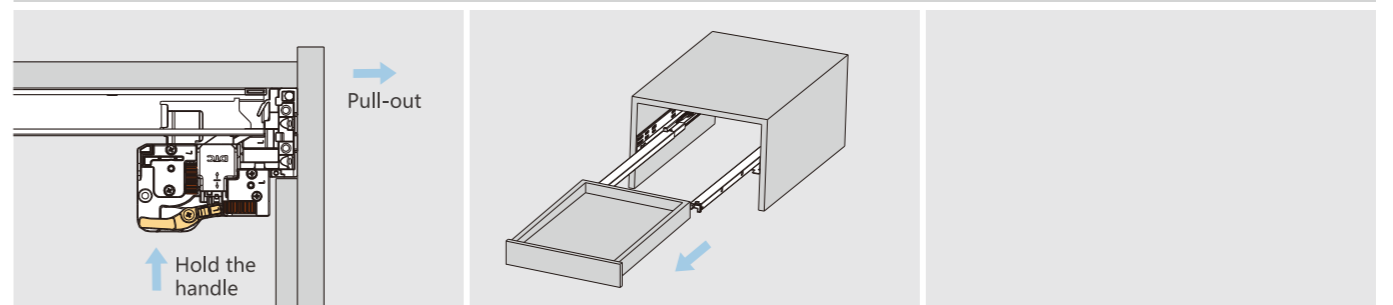
Adjustment



Up&down adjustment

Side adjustment

Removal



For removal, hold the handle and pull out the drawer.



UNDERMOUNT
SLIDE SERIES

D-MOTION

D-MOTION

Soft-close and silent system

A Smooth Drawer



- DTC D-motion undermount slide, silent and soft-close
- Partial extension, Full extension, With peg/locking devices, A variety of options for users.
- Highly stable construction, verified durability



Quietness



Intelligence



Durability



Eco-Friendliness

D-MOTION

DS10 Series Full Extension Undermount Slides with Locking Device



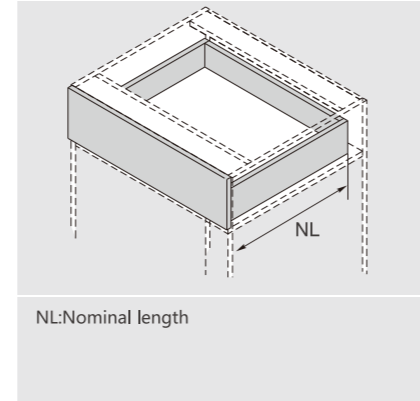
PRODUCT



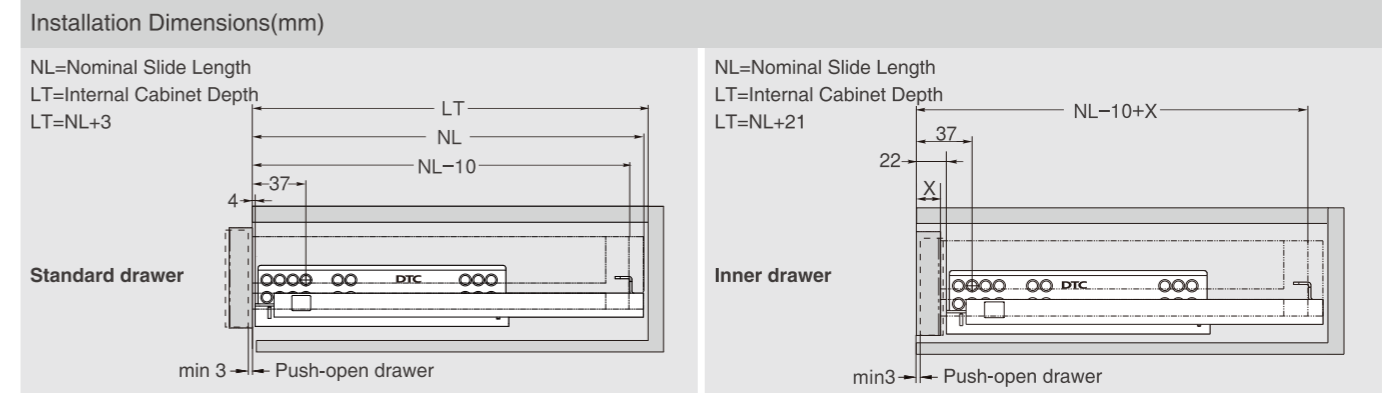
DESCRIPTION

- Load capacity: 35kg
- Finish: zink plated
- Length: 250-600mm, full extension
- Silent system guarantees smooth run without noise
- 2D adjustment, up&down: 0-3mm, side: ± 1.5mm
- 3D adjustment, up&down: 0-3mm, side: ± 1.5mm, depth: 0-3mm
- Maximum drawer side thickness: 16mm

SPACE REQUIREMENT



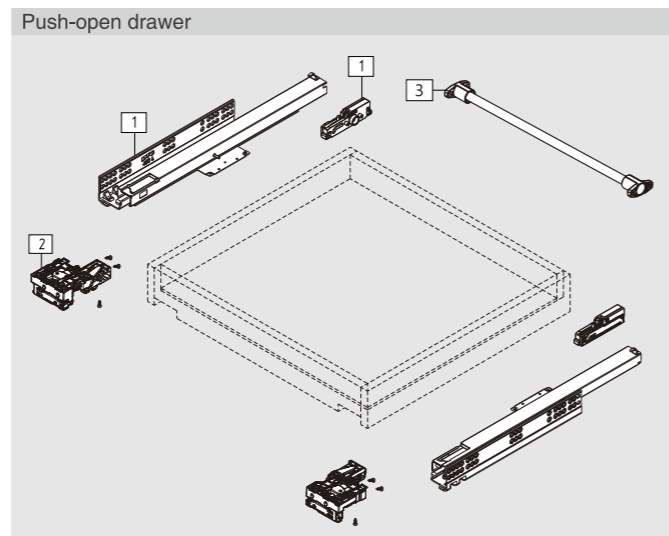
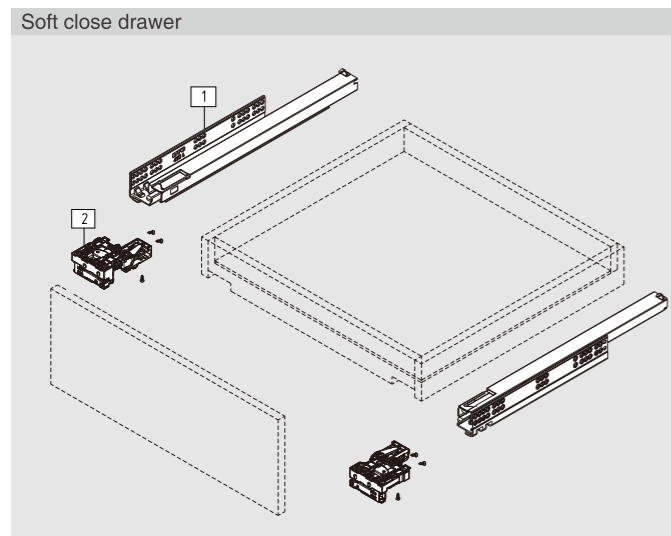
PLANNING



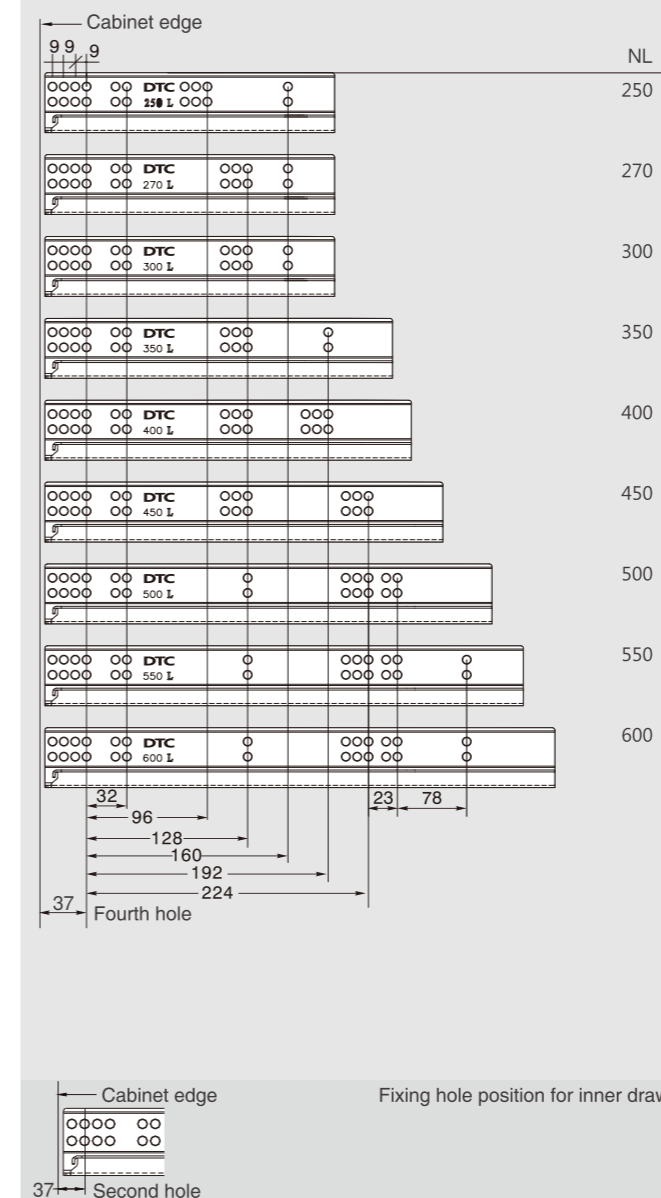
SOFT CLOSE DRAWER/PUSH-OPEN DRAWER

1 Slides (left/right)					
Pre-zinc Steel (F02)					
NL	Soft close item No.	Set/ctn	Push-open item No.	Set/ctn	
250mm	DS10250H	10	DF10250H	6	
270mm	DS10270H	10	DF10270H	6	
300mm	DS10300H	10	DF10300H	6	
350mm	DS10350H	10	DF10350H	6	
400mm	DS10400H	10	DF10400H	6	
450mm	DS10450H	10	DF10450H	6	
500mm	DS10500H	10	DF10500H	6	
550mm	DS10550H	10	DF10550H	6	
600mm	DS10600H	10	DF10600H	6	

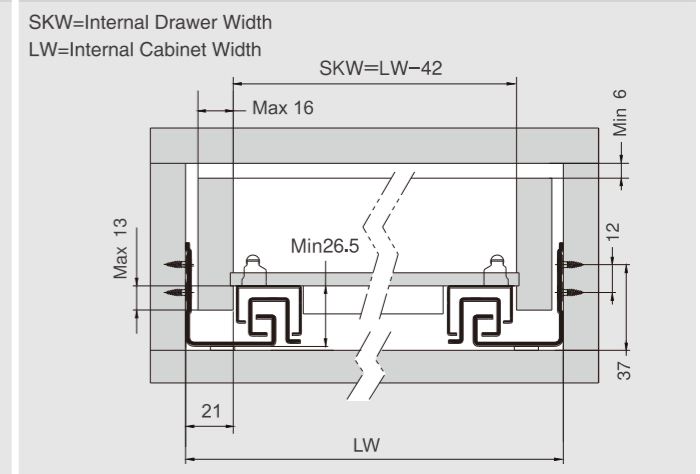
	2D Locking Device (Left/Right)	
	Grey(H11)	
	Item No.	0DSD03-A
	3D Locking Device (Left/Right)	
	Grey(H11)	
	Item No.	0DSD04-A
	Rod for Push-open Synchronization (For cutting to size, 1100mm. Cutting: Internal cabinet width LW-172)	
	Item No.	HT0FH02



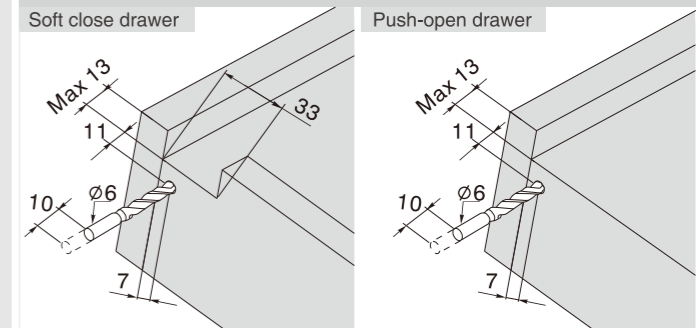
Screw Positions of the Slides(mm)



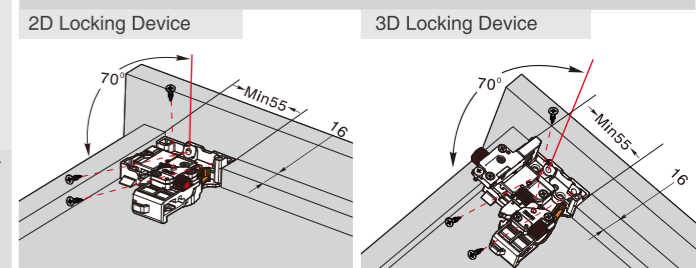
Installation Dimensions(mm)



Drawer Back Preparation(mm)



Locking Device Installation(mm)



D-MOTION

DS80 Series Full Extension Undermount Slides with Locking Device



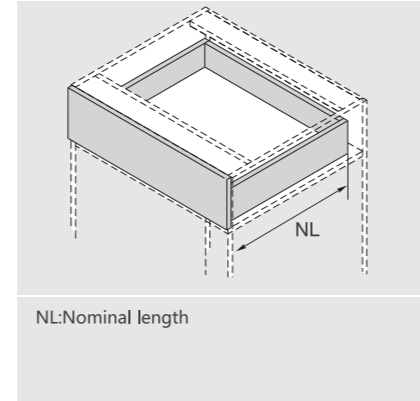
PRODUCT



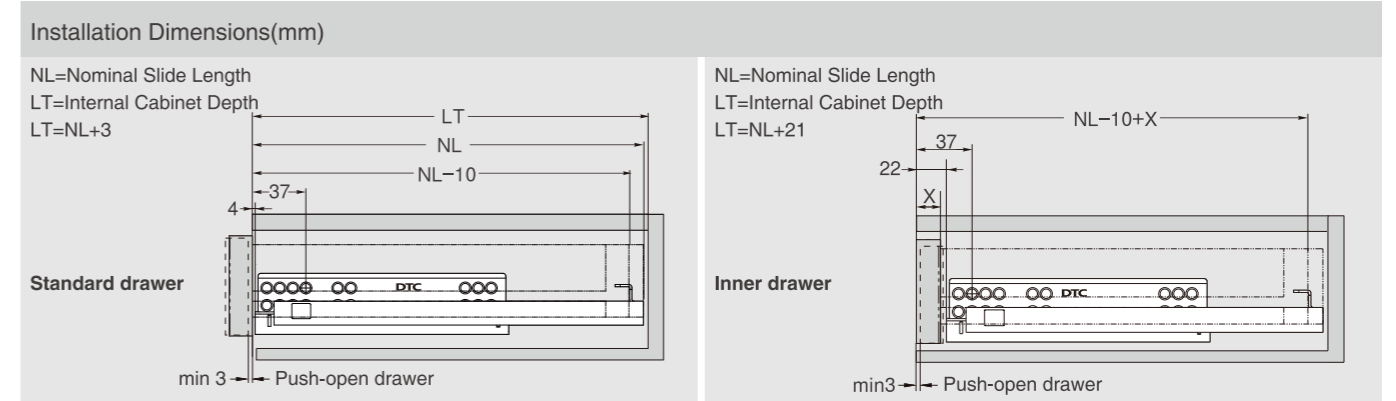
DESCRIPTION

- Load capacity: 35kg
- Finish: zink plated
- Length: 250-600mm, full extension
- Silent system guarantees smooth run without noise
- 2D adjustment, up&down: 0-3mm, side: ± 1.5mm
- 3D adjustment, up&down: 0-3mm, side: ± 1.5mm, depth: 0-3mm
- Maximum drawer side thickness: 19mm

SPACE REQUIREMENT



PLANNING



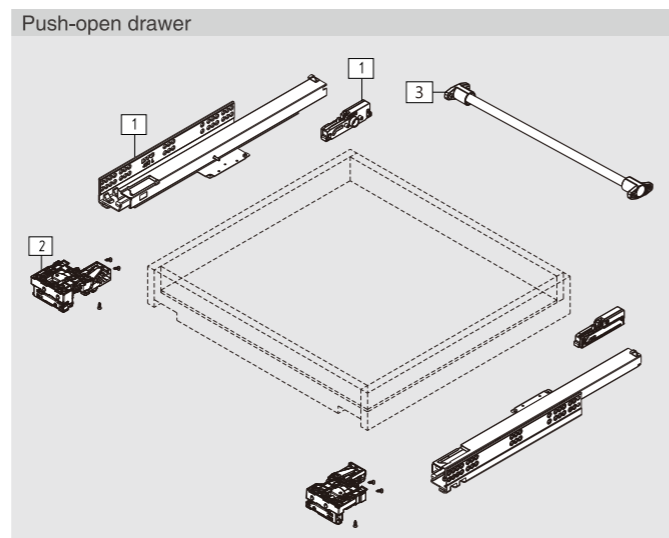
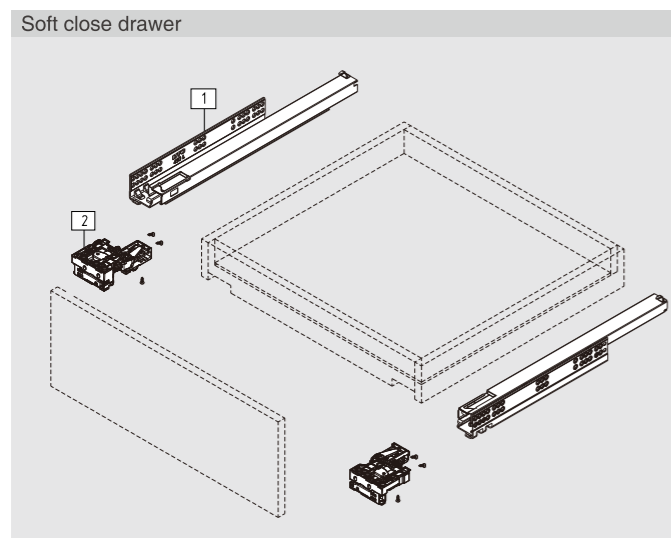
SOFT CLOSE DRAWER/PUSH-OPEN DRAWER

1 Slides (left/right)					
Pre-zinc Steel (F02)					
NL	Soft close item No.	Set/ctn	Push-open item No.	Set/ctn	
250mm	DS80250H	DF80250H		10	
270mm	DS80270H	DF80270H		10	
300mm	DS80300H	DF80300H		10	
350mm	DS80350H	DF80350H		10	
400mm	DS80400H	DF80400H		10	
450mm	DS80450H	DF80450H		10	
500mm	DS80500H	DF80500H		10	
550mm	DS80550H	DF80550H		10	
600mm	DS80600H	DF80600H		10	

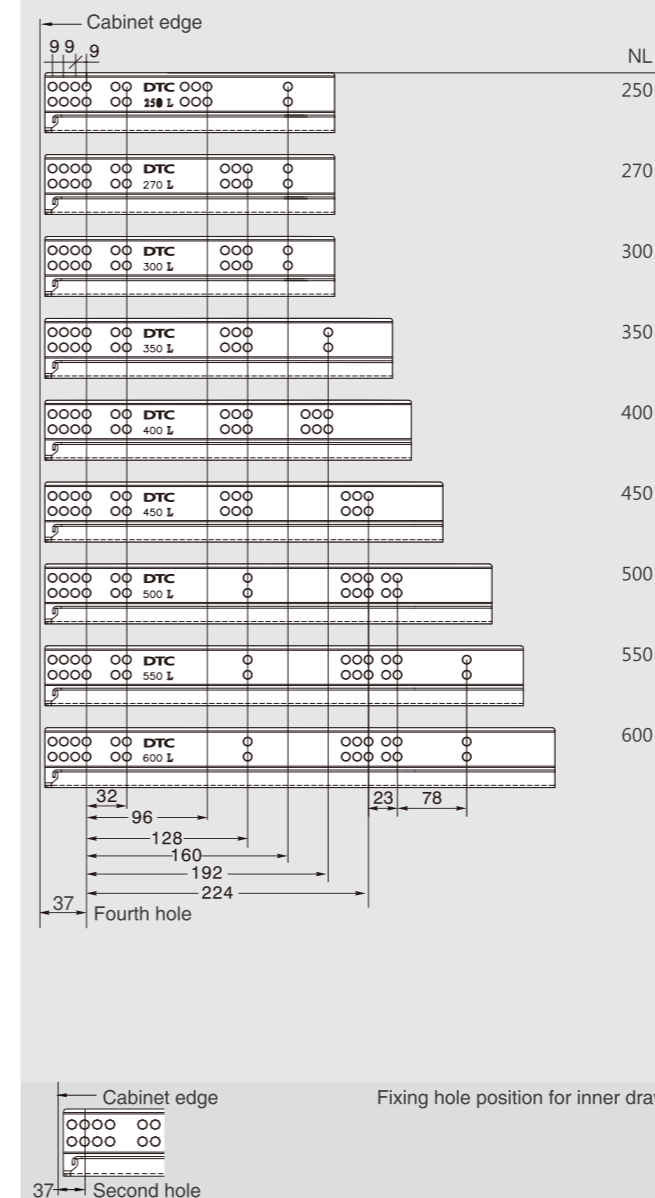
2D Locking Device (Left/Right)	
Grey(H11)	
Item No.	0DSD03-A

3D Locking Device (Left/Right)	
Grey(H11)	
Item No.	0DSD04-A

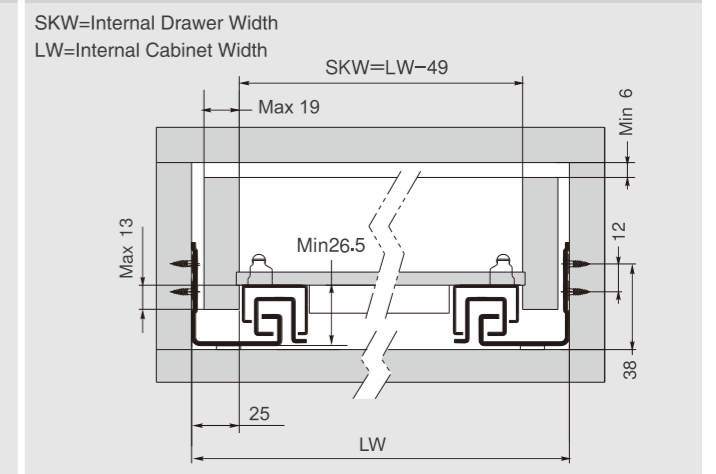
3 Rod for Push-open Synchronization (For cutting to size, 1100mm. Cutting: Internal cabinet width LW-180)	
Item No.	HT0FH02



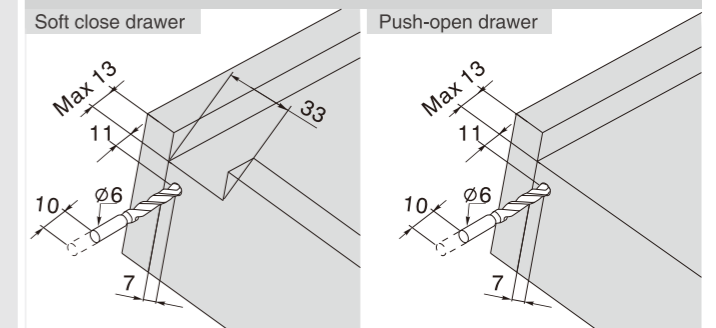
Screw Positions of the Slides(mm)



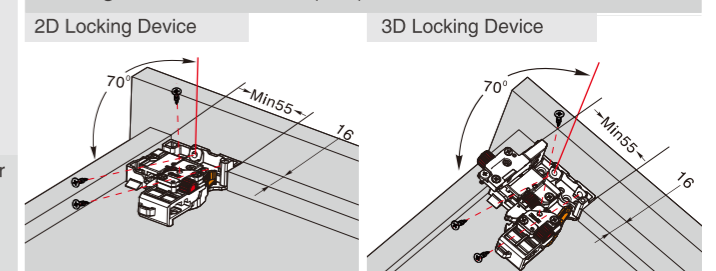
Installation Dimensions(mm)



Drawer Back Preparation(mm)

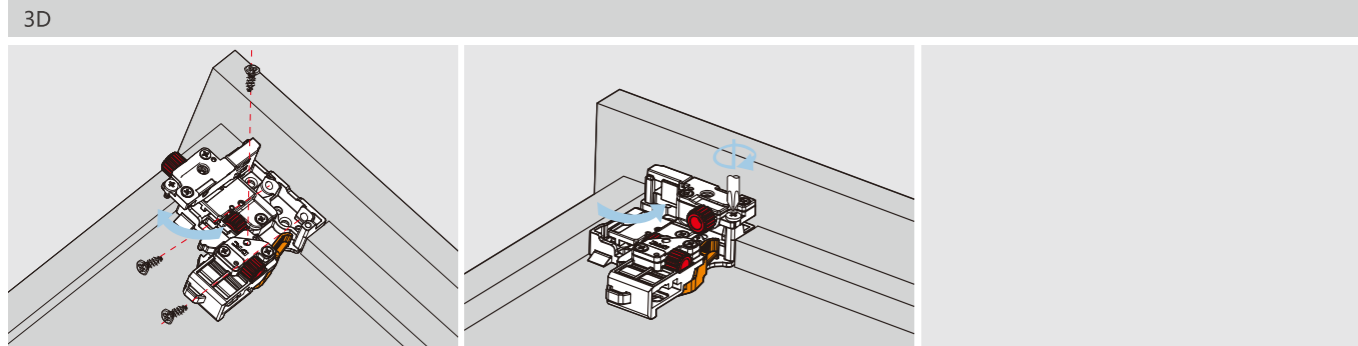


Locking Device Installation(mm)



ASSEMBLY AND ADJUSTMENT

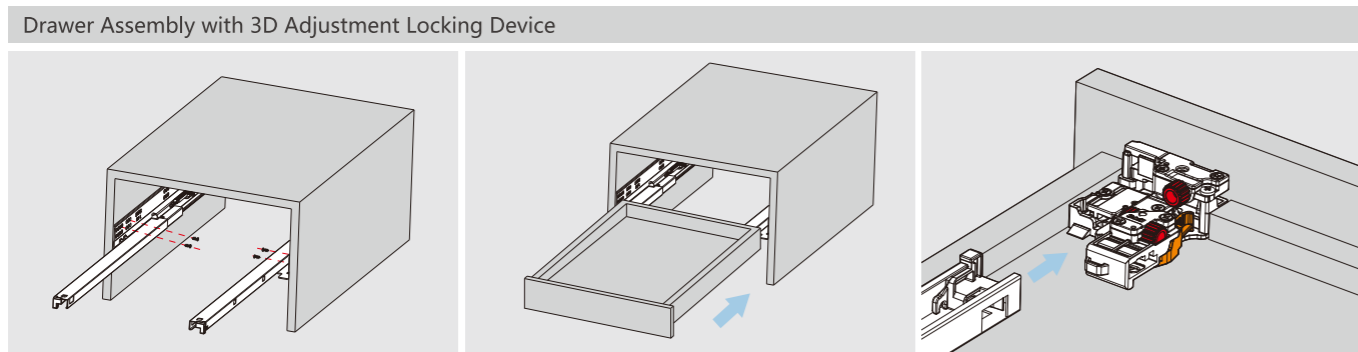
Assembly and Adjustment (for DS series)



Move out the adjusting part and fix the locking device onto the drawer bottom.
Put the adjusting part back and tighten the screws.

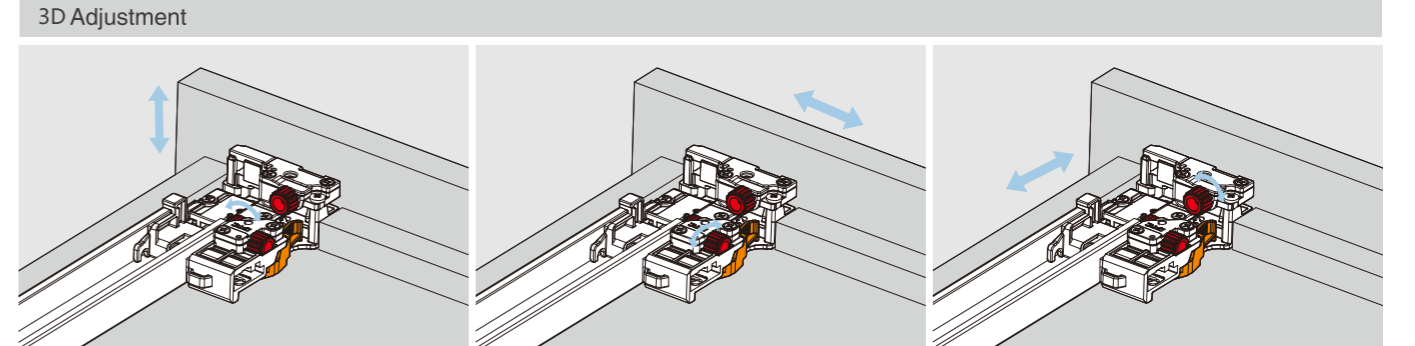


Fix the locking device onto the drawer bottom.



Fix the slide onto the cabinet.

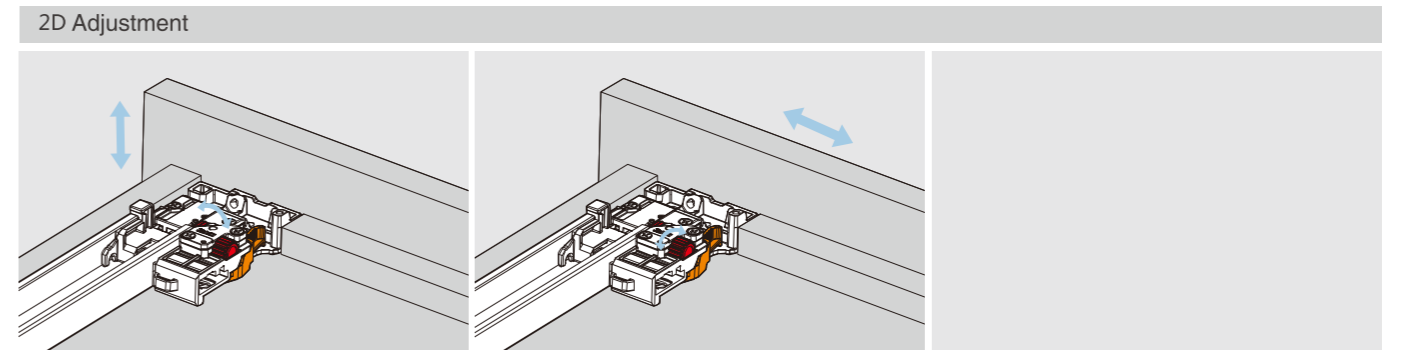
Lay the drawer bottom onto the slide then push the drawer into the cabinet.



Up&down adjustment

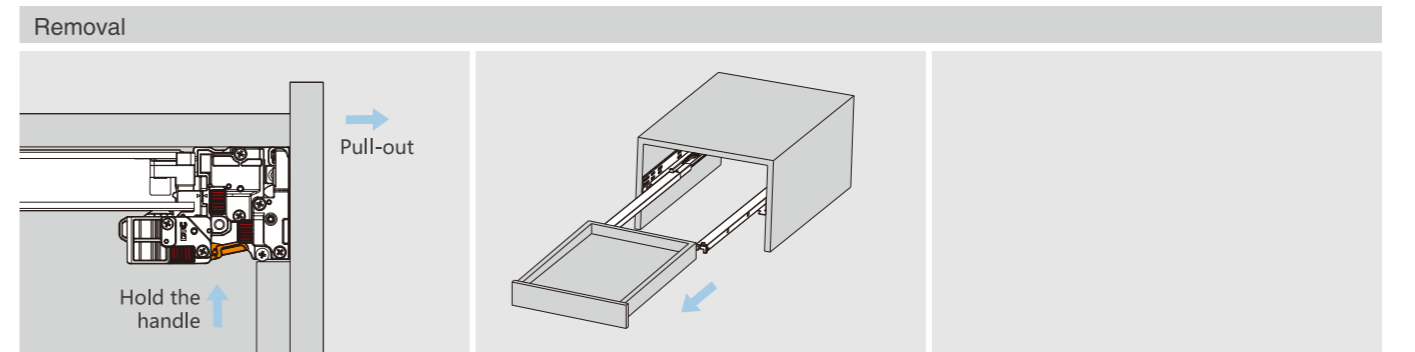
Side adjustment

Depth adjustment



Up&down adjustment

Side adjustment



For removal, hold the handle and pull out the drawer.



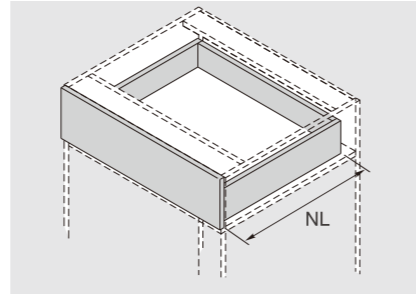
PRODUCT



DESCRIPTION

- Load capacity: 35kg
- Finish: zink plated
- Length: 250-600mm
- Full extension
- Tool free assembly and removal of drawer
- Silent system guarantees smooth run without noise
- Drawer up&down adjustment: 0~+3mm
- Maximum drawer side thickness:16mm

SPACE REQUIREMENT

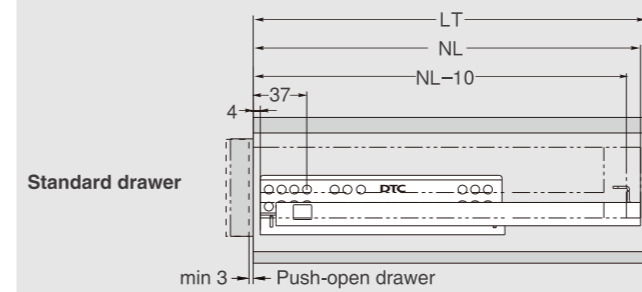


NL: Nominal Length

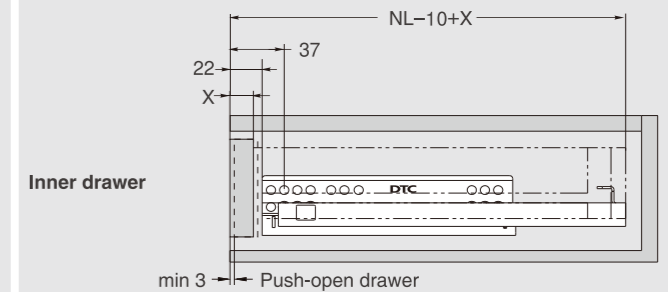
PLANNING

Installation Dimensions(mm)

NL=Nominal Slide Length LT=Internal Cabinet Depth LT=NL+3



NL=Nominal Slide Length LT=Internal Cabinet Depth LT=NL+21

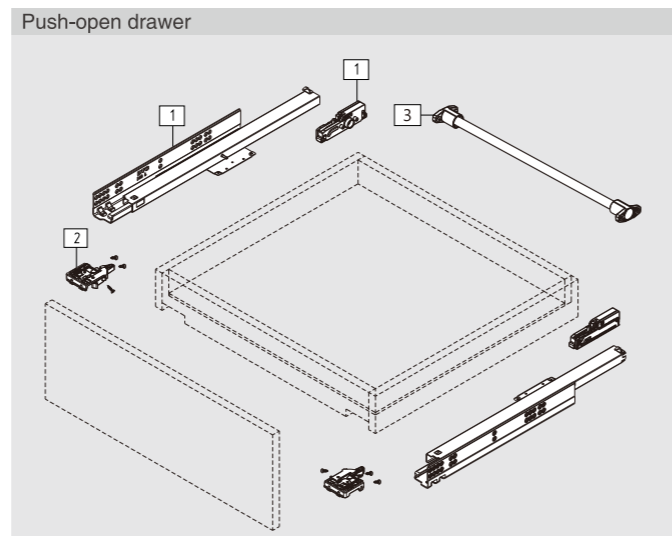
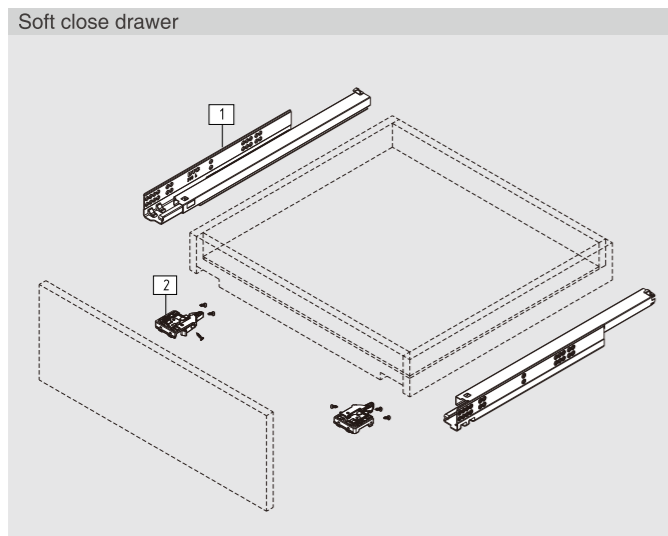


SOFT CLOSE DRAWER / PUSH-OPEN DRAWER

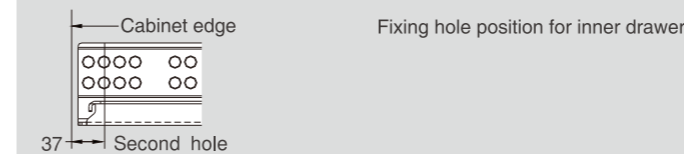
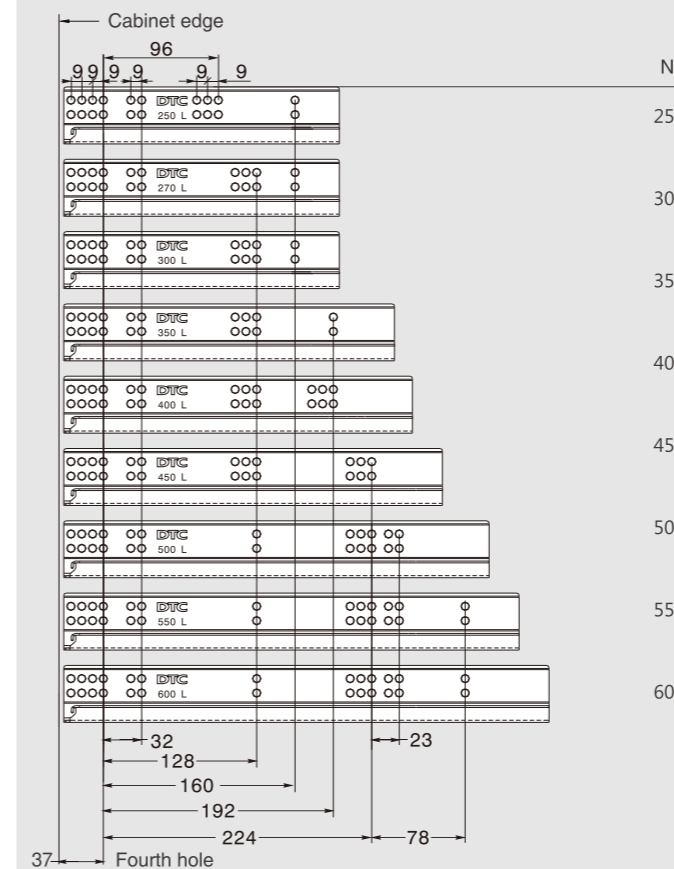
1		Slides (left/right)	
Pre-zinc Steel (F02)			
NL	Soft Close item No.	Set/ctn	Push-open item No.
250mm	SS10250H1	10	FF10250HX
270mm	SS10270H1	10	FF10270HX
300mm	SS10300H1	10	FF10300HX
350mm	SS10350H1	10	FF10350HX
400mm	SS10400H1	10	FF10400HX
450mm	SS10450H1	10	FF10450HX
500mm	SS10500H1	10	FF10500HX
550mm	SS10550H1	10	FF10550HX
600mm	SS10600H1	10	FF10600HX

2		Locking Device (left/right)	
Grey(H11)			
Item No.	0SSLD01-A		

3		Rod for Push-open Synchronization /For cutting to size,1100mm.Cutting:Internal cabinet width LW-172	
Item No.	HT0FH02		

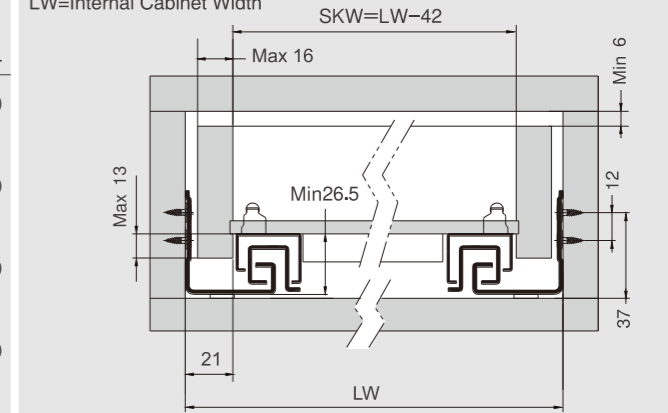


Screw Positions of the Slides(mm)

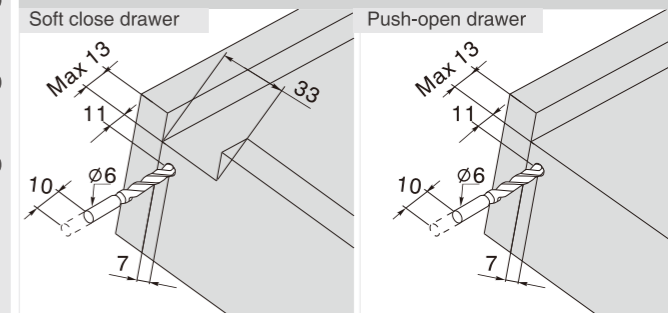


Installation Dimensions(mm)

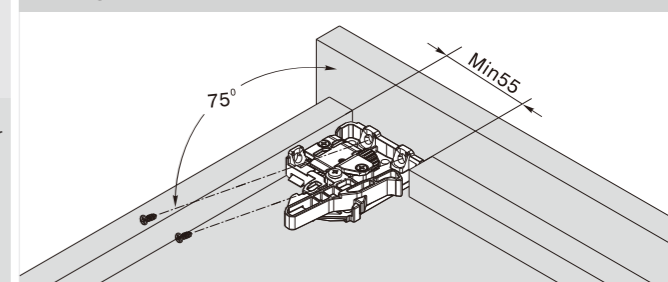
SKW=Internal Drawer Width
LW=Internal Cabinet Width



Drawer Back Preparation(mm)



Locking Device Installation(mm)





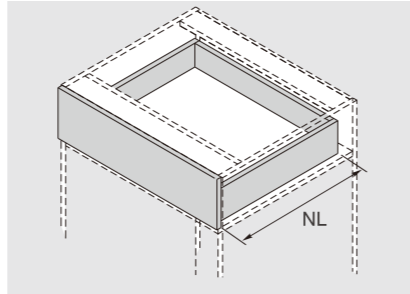
PRODUCT



DESCRIPTION

- Load capacity: 35kg
- Finish: zink plated
- Length: 250-600mm
- Full extension
- Tool free assembly and removal of drawer
- Silent system guarantees smooth run without noise
- Drawer up&down adjustment: 0~+3mm
- Maximum drawer side thickness: 19mm

SPACE REQUIREMENT

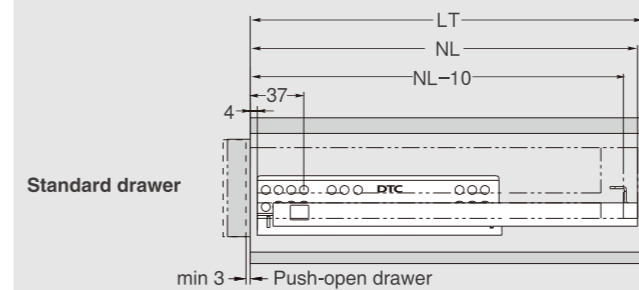


NL: Nominal Length

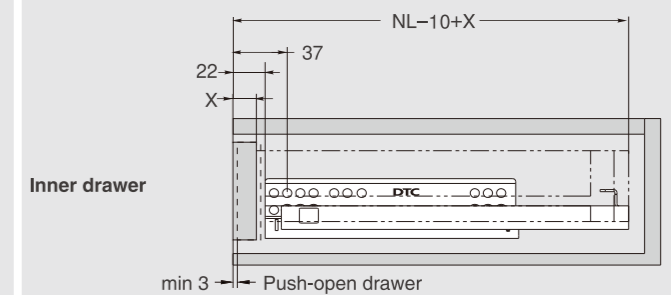
PLANNING

Installation Dimensions(mm)

NL=Nominal Slide Length LT=Internal Cabinet Depth LT=NL+3



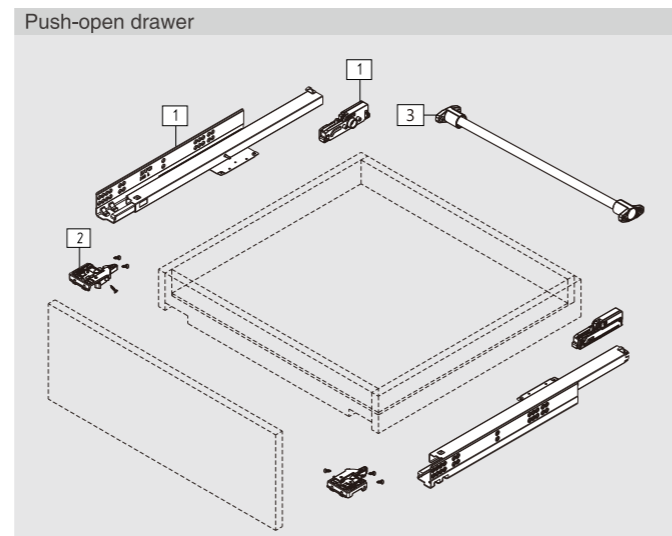
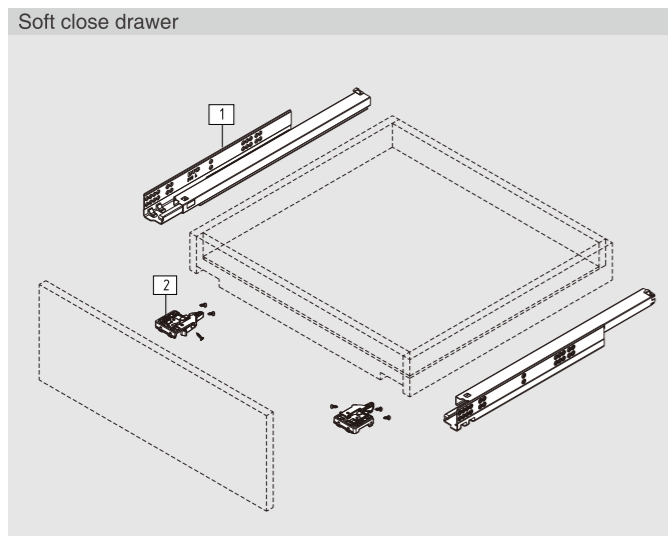
NL=Nominal Slide Length LT=Internal Cabinet Depth LT=NL+3



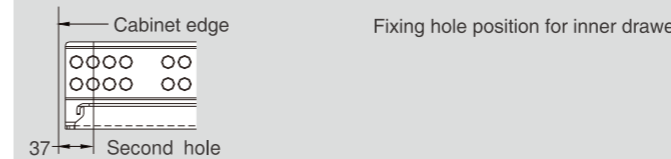
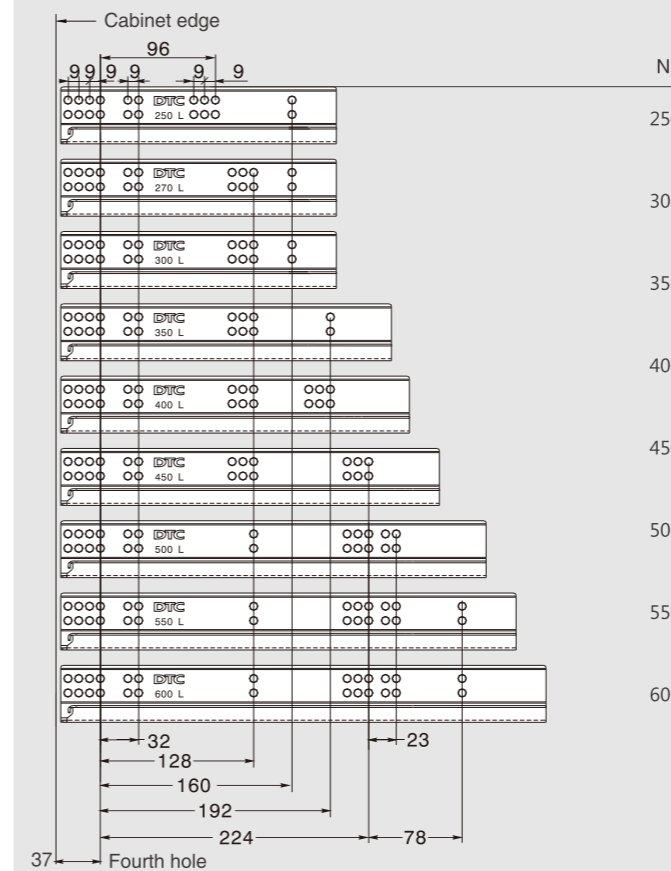
SOFT CLOSE DRAWER / PUSH-OPEN DRAWER

1 Slides (left/right)					
Pre-zinc Steel (F02)					
NL	Soft Close item No.	Set/ctn	Push-open item No.	Set/ctn	
250mm	SS80250H1	10	FF80250HX	6	
270mm	SS80270H1	10	FF80270HX	6	
300mm	SS80300H1	10	FF80300HX	6	
350mm	SS80350H1	10	FF80350HX	6	
400mm	SS80400H1	10	FF80400HX	6	
450mm	SS80450H1	10	FF80450HX	6	
500mm	SS80500H1	10	FF80500HX	6	
550mm	SS80550H1	10	FF80550HX	6	
600mm	SS80600H1	10	FF80600HX	6	

2 Locking Device (left/right)	
Grey(H11)	
Item No.	0SSLD01-A
3 Rod for Push-open Synchronization /For cutting to size,1100mm.Cutting:Internal cabinet width LW-180	
Item No.	HT0FH02



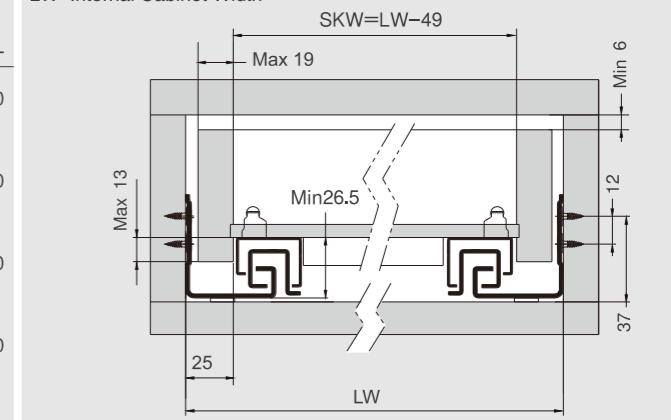
Screw Positions of the Slides(mm)



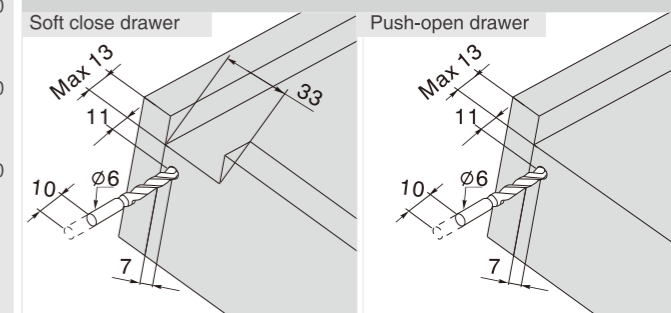
Installation Dimensions(mm)

SKW=Internal Drawer Width

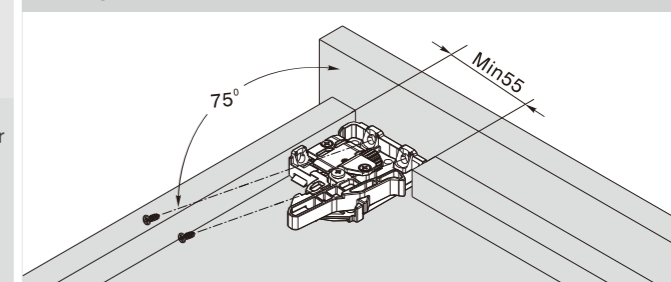
LW=Internal Cabinet Width



Drawer Back Preparation(mm)



Locking Device Installation(mm)





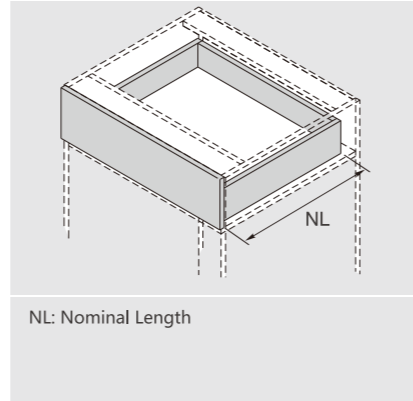
PRODUCT



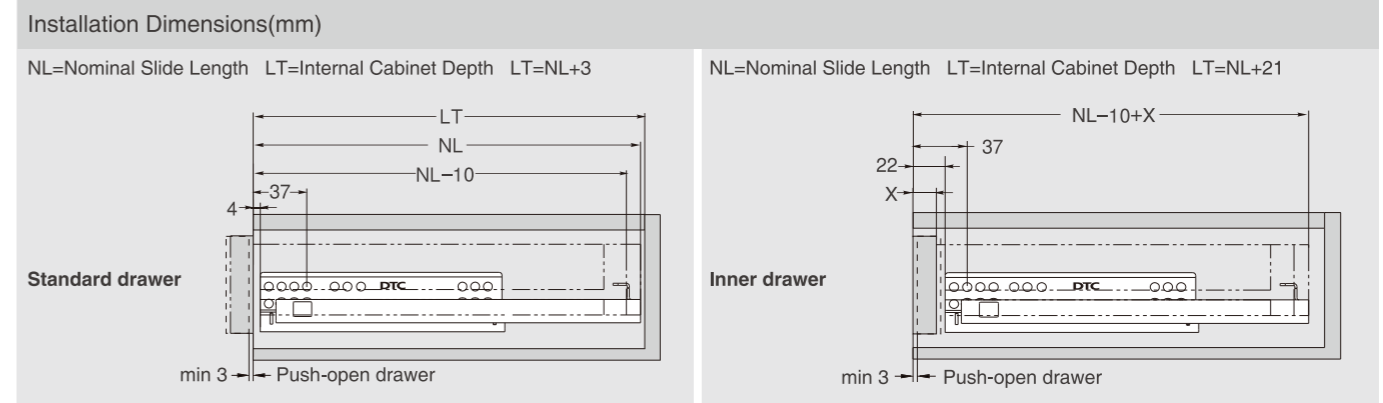
DESCRIPTION

- Load capacity: 35kg
- Finish: zink plated
- Length: 250-600mm
- Full extension
- Tool free assembly and removal of drawer
- Silent system guarantees smooth run without noise
- Drawer up&down adjustment: 0~+4mm
- Maximum drawer side thickness:16mm

SPACE REQUIREMENT



PLANNING

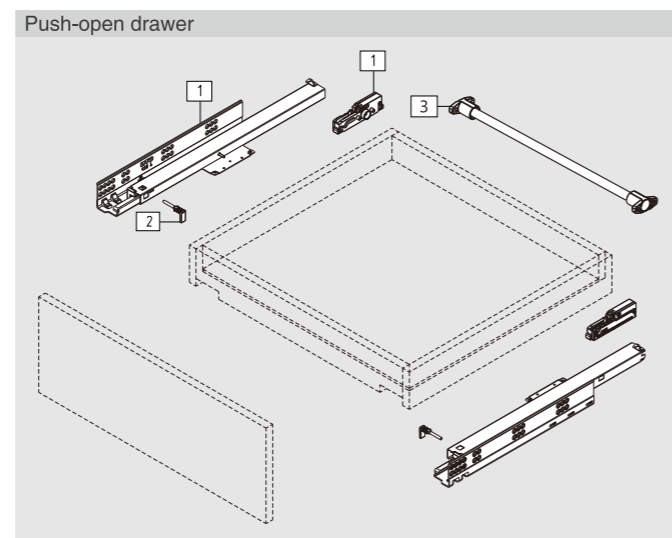
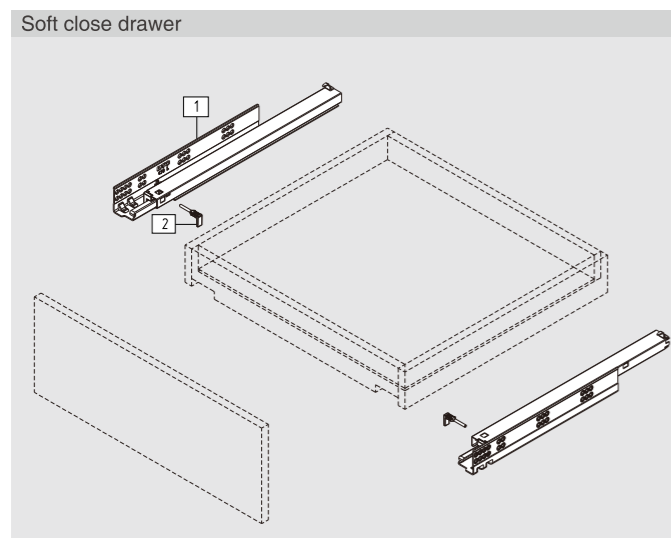


SOFT CLOSE DRAWER / PUSH-OPEN DRAWER

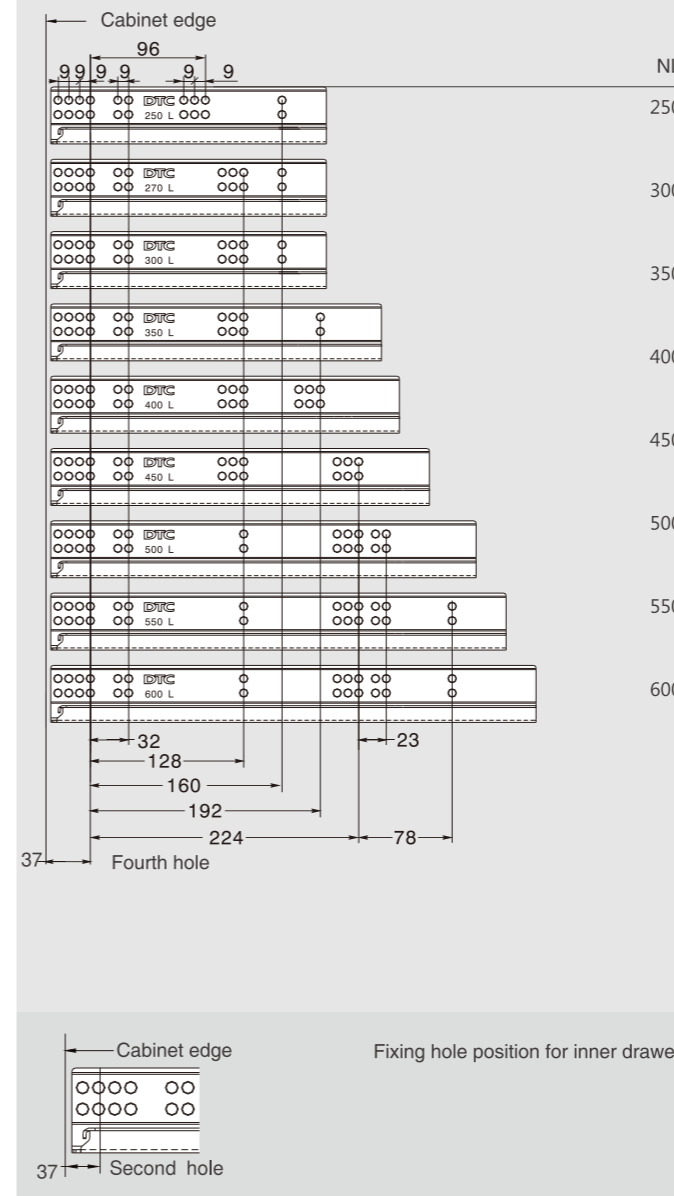
1		Slides (left/right)			
Pre-zinc Steel (F02)					
NL	Soft Close item No.	Set/ctn	Push-open item No.	Set/ctn	
250mm	SS10C250H1	10	FF10C250HX	6	
270mm	SS10C270H1	10	FF10C270HX	6	
300mm	SS10C300H1	10	FF10C300HX	6	
350mm	SS10C350H1	10	FF10C350HX	6	
400mm	SS10C400H1	10	FF10C400HX	6	
450mm	SS10C450H1	10	FF10C450HX	6	
500mm	SS10C500H1	10	FF10C500HX	6	
550mm	SS10C550H1	10	FF10C550HX	6	
600mm	SS10C600H1	10	FF10C600HX	6	

2		Locking Pin	
Grey(H11)			
Item No.		SJS01	

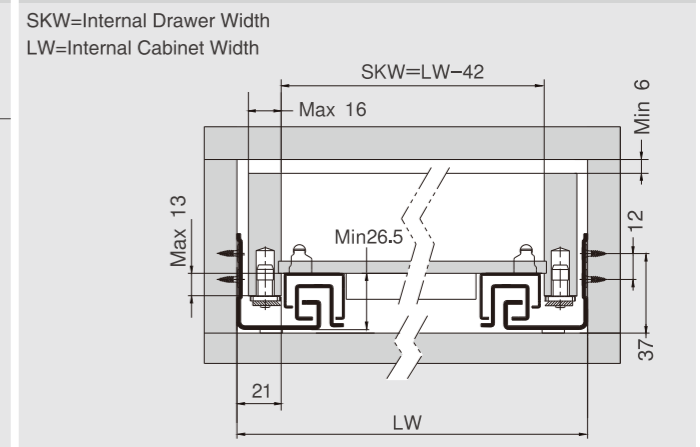
3		Rod for Push-open Synchronization	
/For cutting to size,1100mm.Cutting:Internal cabinet width LW-172			
Item No.		HT0FH02	



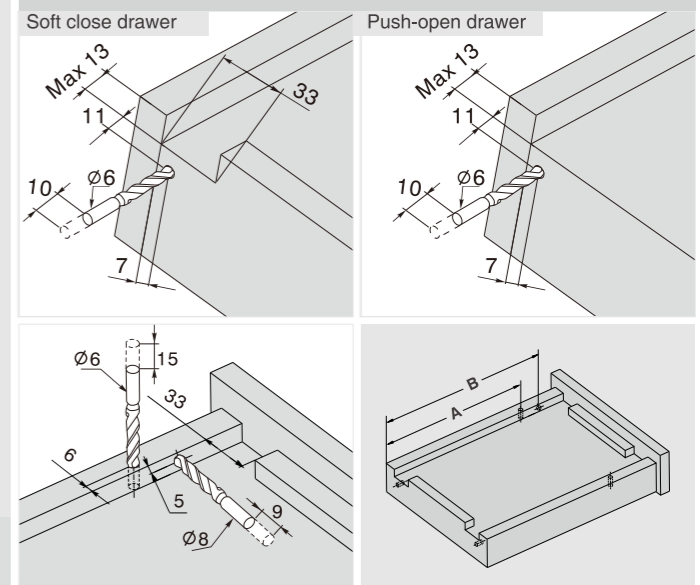
Screw Positions of the Slides(mm)



Installation Dimensions(mm)



Drawer Back Preparation(mm)



NL (mm)	250	270	300	350	400	450	500	550	600
A (mm)	190	205	245	270	305	330	355	390	415
B (mm)	200.5	215.5	255.5	280.5	319.5	369.5	419.5	469.5	519.5



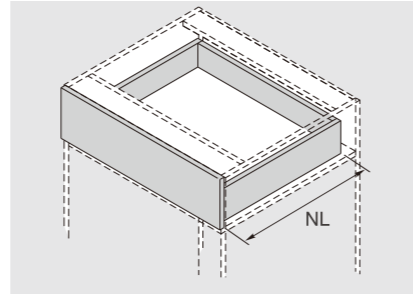
PRODUCT



DESCRIPTION

- Load capacity: 35kg
- Finish: zink plated
- Length: 250-600mm
- Full extension
- Tool free assembly and removal of drawer
- Silent system guarantees smooth run without noise
- Drawer up&down adjustment: 0~+4mm
- Maximum drawer side thickness:19mm

SPACE REQUIREMENT

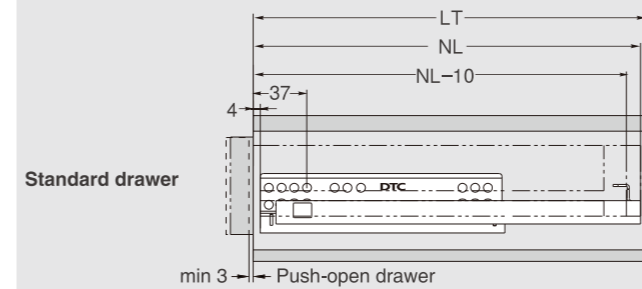


NL: Nominal Length

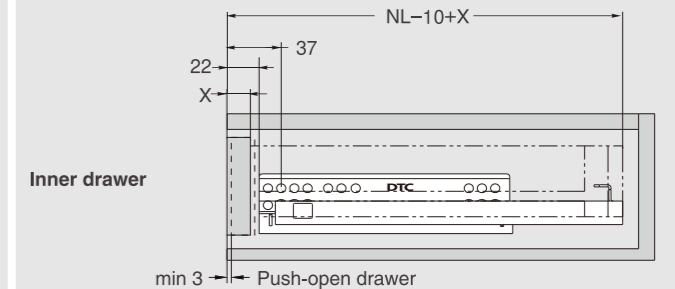
PLANNING

Installation Dimensions(mm)

NL=Nominal Slide Length LT=Internal Cabinet Depth LT=NL+3



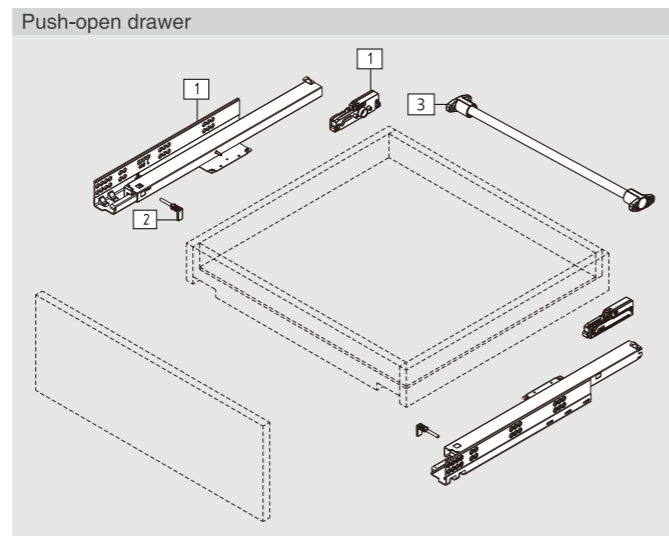
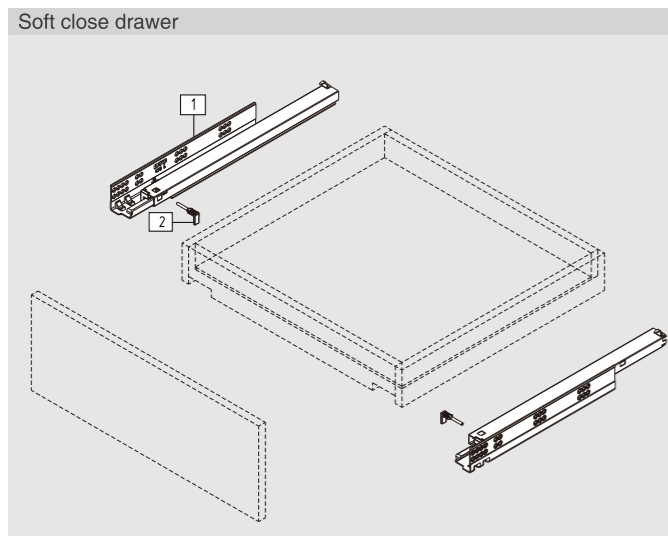
NL=Nominal Slide Length LT=Internal Cabinet Depth LT=NL+21



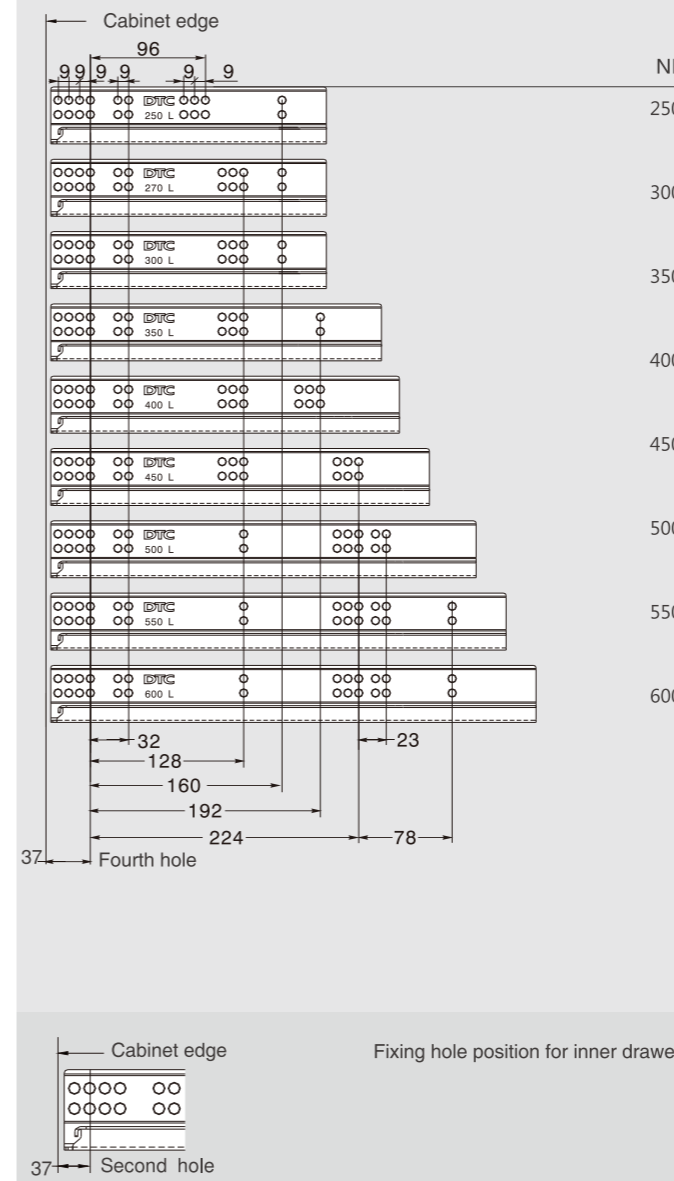
SOFT CLOSE DRAWER / PUSH-OPEN DRAWER

NL	Soft Close		Push-open	
	Item No.	Set/ctn	Item No.	Set/ctn
250mm	SS80C250H1	10	FF80C250HX	6
270mm	SS80C270H1	10	FF80C270HX	6
300mm	SS80C300H1	10	FF80C300HX	6
350mm	SS80C350H1	10	FF80C350HX	6
400mm	SS80C400H1	10	FF80C400HX	6
450mm	SS80C450H1	10	FF80C450HX	6
500mm	SS80C500H1	10	FF80C500HX	6
550mm	SS80C550H1	10	FF80C550HX	6
600mm	SS80C600H1	10	FF80C600HX	6

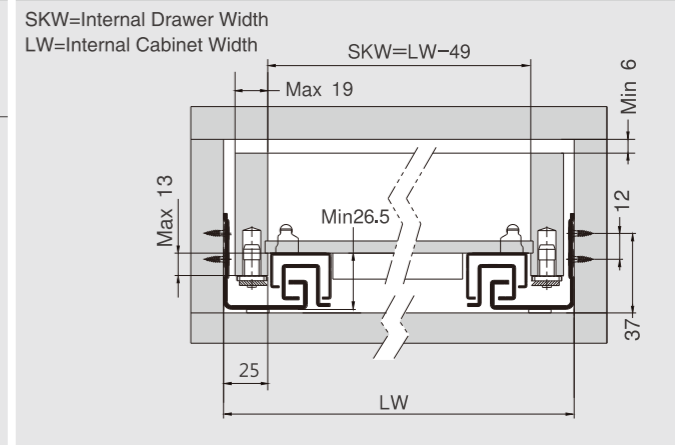
Item No.	Description
SJS01	Locking Pin Grey(H11)
HT0FH02	Rod for Push-open Synchronization /For cutting to size,1100mm.Cutting:Internal cabinet width LW-180



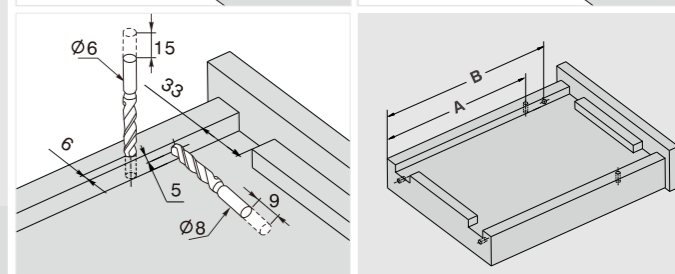
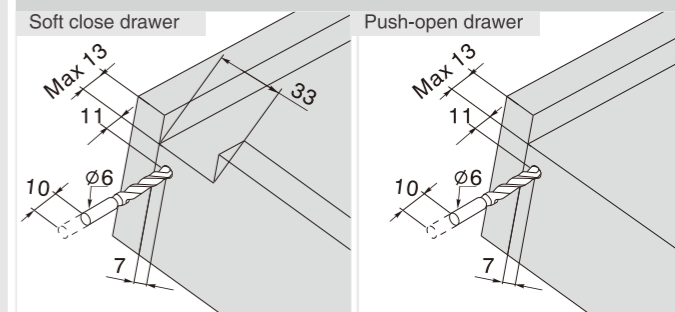
Screw Positions of the Slides(mm)



Installation Dimensions(mm)



Drawer Back Preparation(mm)



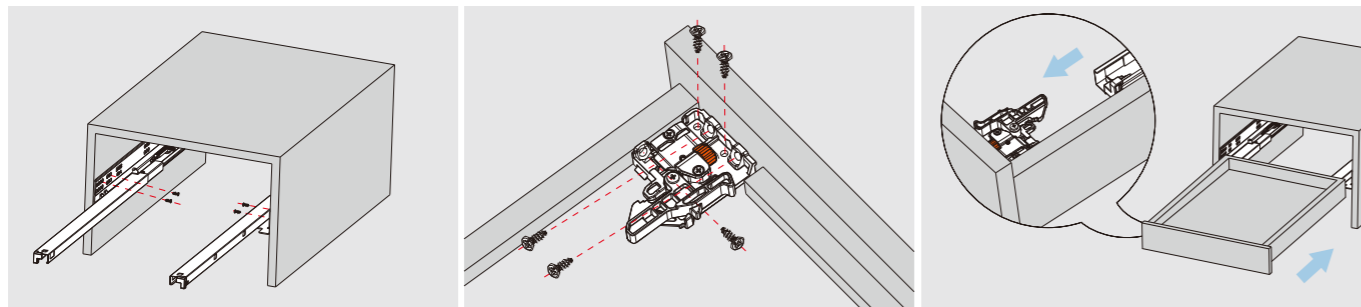
NL (mm)	250	270	300	350	400	450	500	550	600
A (mm)	190	205	245	270	305	330	355	390	415
B (mm)	200.5	215.5	255.5	280.5	319.5	369.5	419.5	469.5	519.5

ASSEMBLY AND ADJUSTMENT

Assembly and Adjustment
(for D-MOTION Full Extension Undermount Slides)



Drawer Assembly with Locking Device

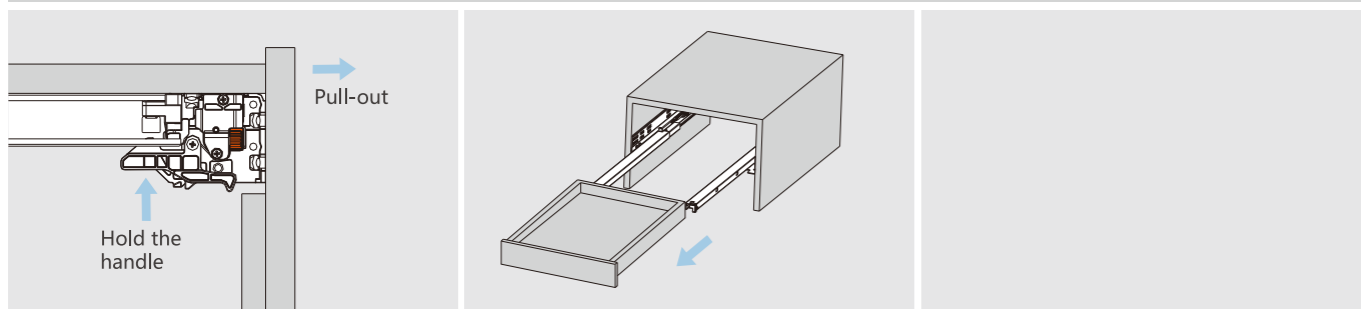


Fix the slide onto the cabinet.

Fix the locking device onto the drawer bottom.

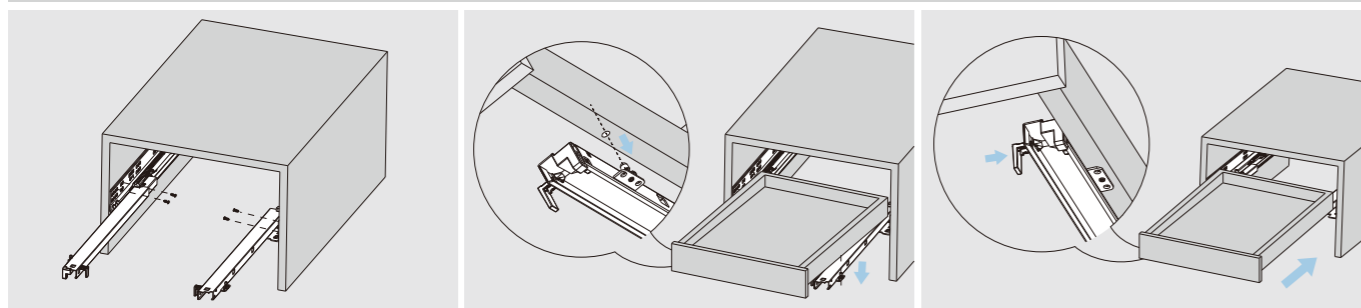
Lay the drawer bottom onto the slide then push the drawer into the cabinet.

Removal with Locking Device



For removal, hold the handle and pull out the drawer.

Drawer Assembly with Peg

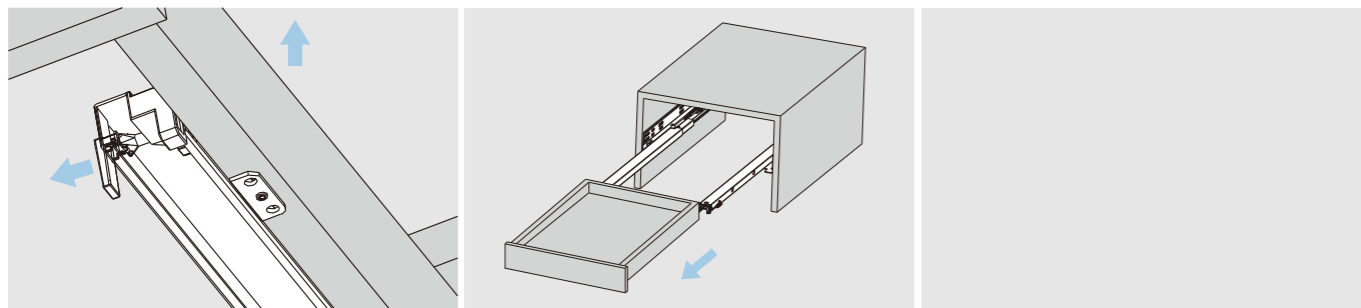


Fix the slide onto the cabinet.

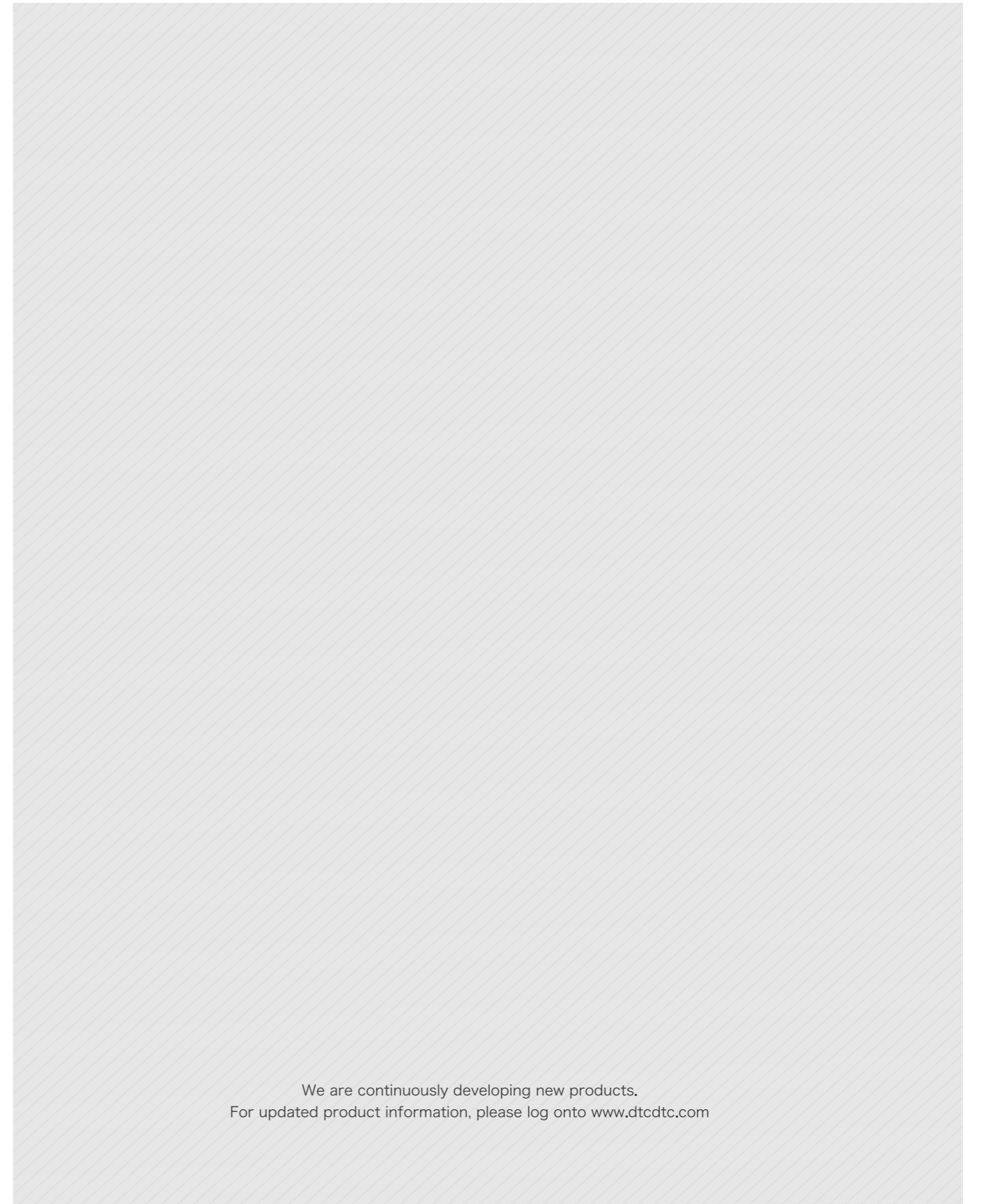
Pull out the drawer member of the slide from the cabinet, lay the drawer onto the slide.

Press the locking pin into the drawer side to lock the position of the drawer.

Removal with Peg



For removal, pull out the locking pin from the drawer side. Lift the drawer and pull it out from the cabinet.



We are continuously developing new products.
For updated product information, please log onto www.dtc.dtc.com



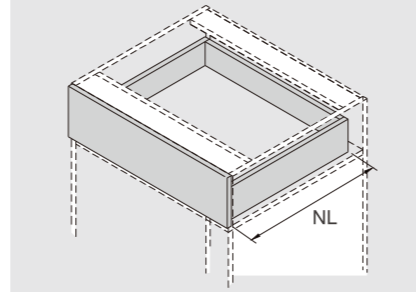
PRODUCT



DESCRIPTION

- Load capacity: 25kg
- Finish: zink plated
- Length: 250-600mm
- Partial extension
- Drawer up&down adjustment: 0~+3mm
- Tool free assembly and removal of drawer
- Silent system guarantees smooth run without noise
- Maximum drawer side thickness: 16mm

SPACE REQUIREMENT

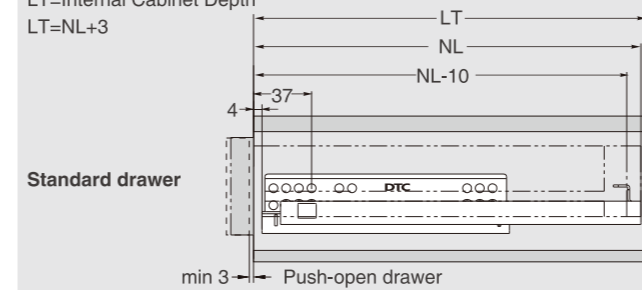


NL: Nominal Length

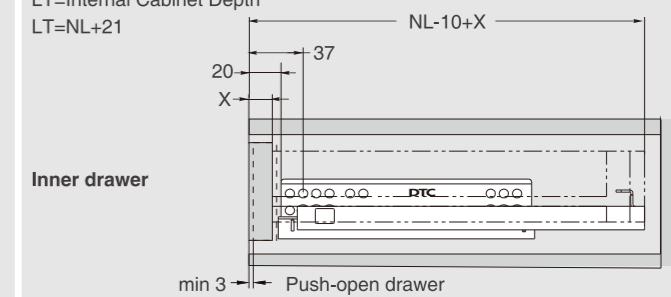
PLANNING

Installation Dimensions(mm)

NL=Nominal Slide Length
LT=Internal Cabinet Depth
LT=NL+3



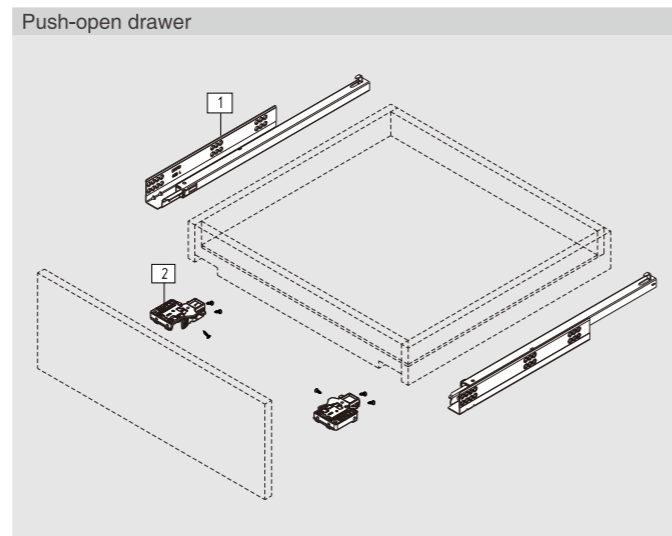
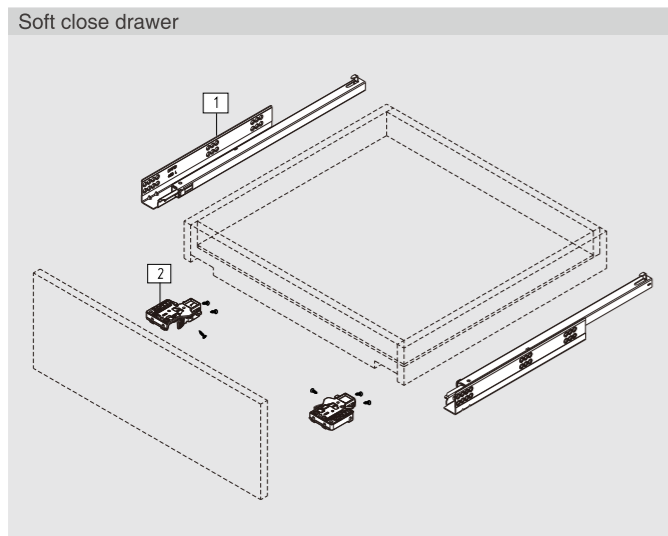
NL=Nominal Slide Length
LT=Internal Cabinet Depth
LT=NL+21



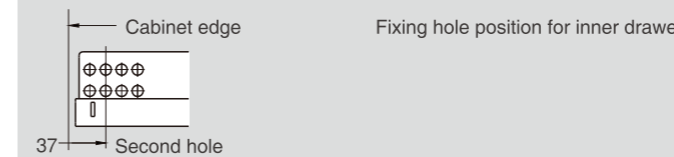
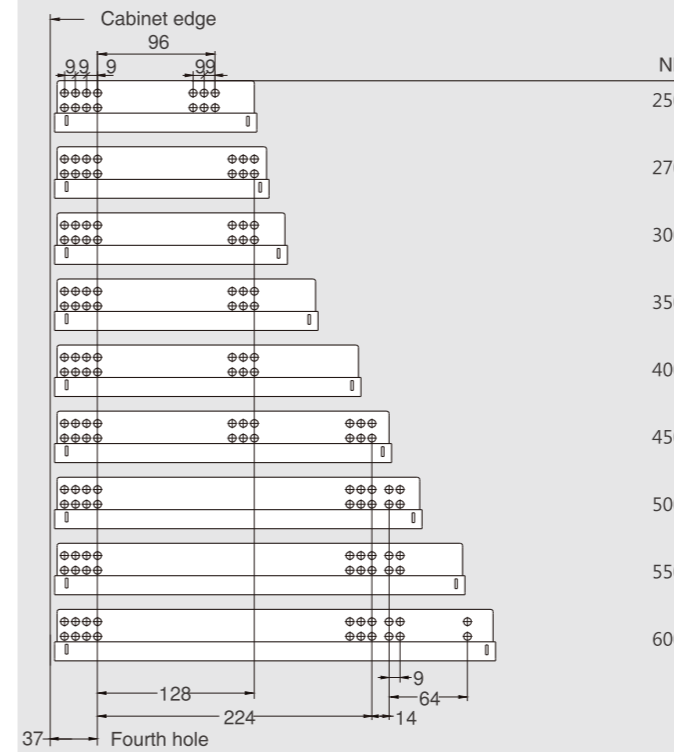
SOFT CLOSE DRAWER/PUSH-OPEN DRAWER

1		Slides (left/right)	
Pre-zinc Steel (F02)			
NL	Soft close item No.	Push-open item No.	Set/ctn
250mm	G10C250H	G02A250	10
270mm	G10C270H	G02A270	10
300mm	G10C300H	G02A300	10
350mm	G10C350H	G02A350	10
400mm	G10C400H	G02A400	10
450mm	G10C450H	G02A450	10
500mm	G10C500H	G02A500	10
550mm	G10C550H	G02A550	10
600mm	G10C600H	G02A600	10

2		Locking Device (left/right)	
Grey(H11)			
Item No.	0GLD01-A		

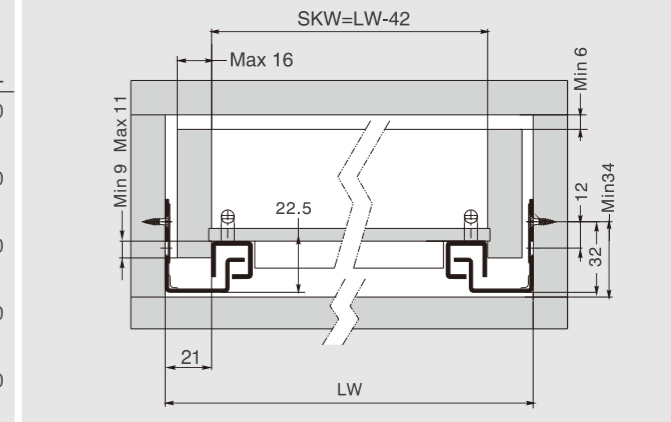


Screw Positions of the Slides(mm)

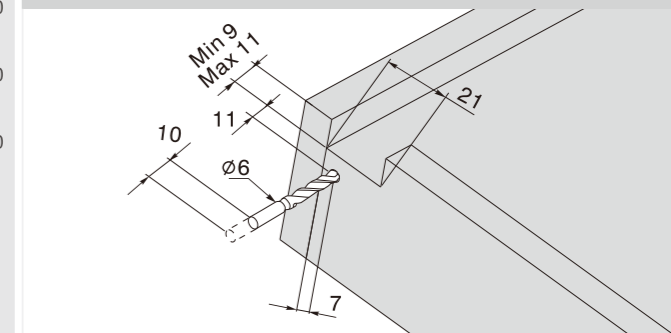


Installation Dimensions(mm)

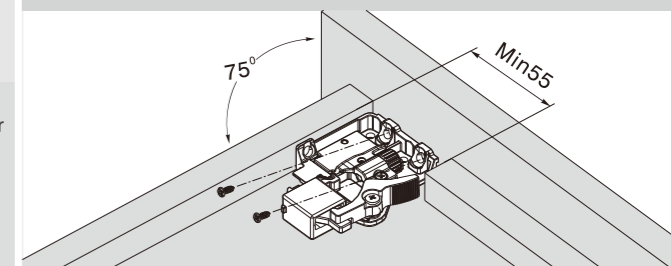
LW=Internal Cabinet Width



Drawer Back Preparation(mm)



Locking Device Installation(mm)





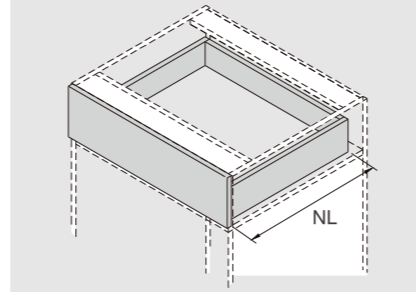
PRODUCT



DESCRIPTION

- Load capacity: 25kg
- Finish: zink plated
- Length: 250-600mm
- Partial extension
- Drawer up&down adjustment: 0~+3mm
- Tool free assembly and removal of drawer
- Silent system guarantees smooth run without noise
- Maximum drawer side thickness: 19mm

SPACE REQUIREMENT

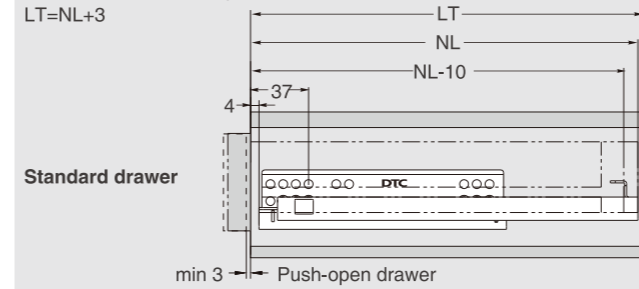


NL: Nominal Length

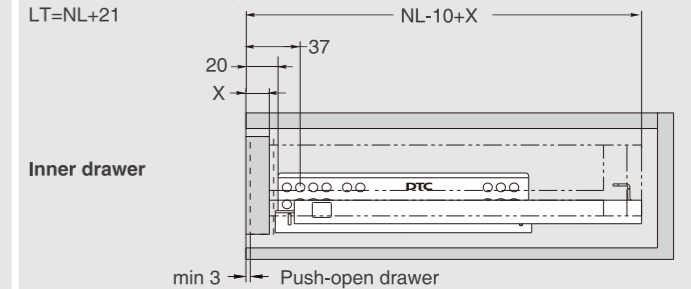
PLANNING

Installation Dimensions(mm)

NL=Nominal Slide Length
LT=Internal Cabinet Depth
LT=NL+3



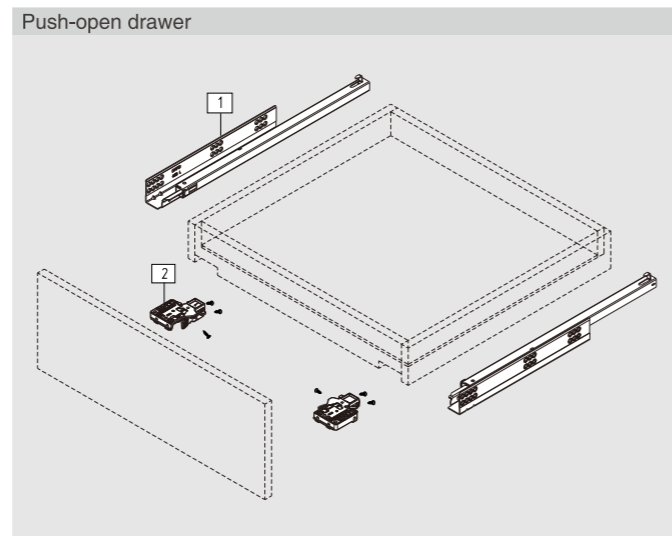
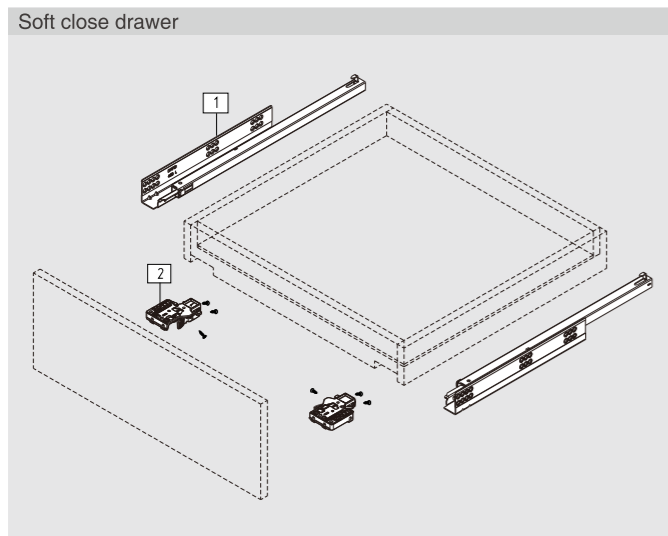
NL=Nominal Slide Length
LT=Internal Cabinet Depth
LT=NL+21



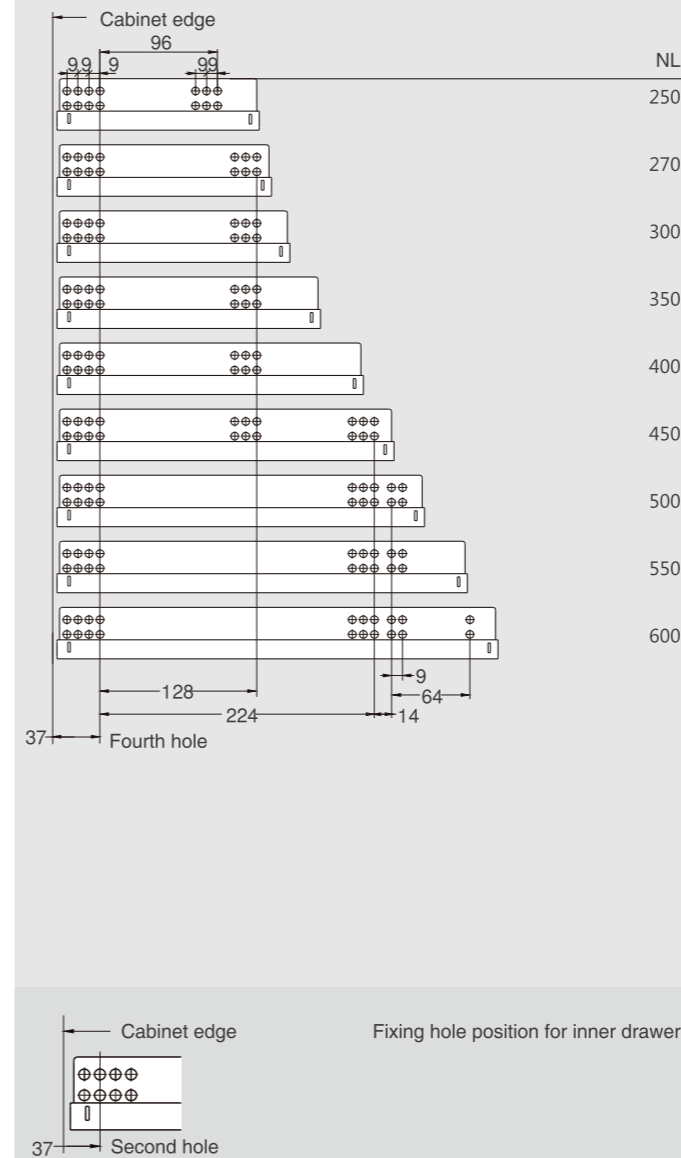
SOFT CLOSE DRAWER/PUSH-OPEN DRAWER

1 Slides (left/right)				
Pre-zinc Steel (F02)				
NL	Soft close item No.	Push-open item No.	Set/ctn	
250mm	G80C250H	G07A250	10	
270mm	G80C270H	G07A270	10	
300mm	G80C300H	G07A300	10	
350mm	G80C350H	G07A350	10	
400mm	G80C400H	G07A400	10	
450mm	G80C450H	G07A450	10	
500mm	G80C500H	G07A500	10	
550mm	G80C550H	G07A550	10	
600mm	G80C600H	G07A600	10	

2 Locking Device (left/right)	
Grey(H11)	
Item No.	0GLD01-A

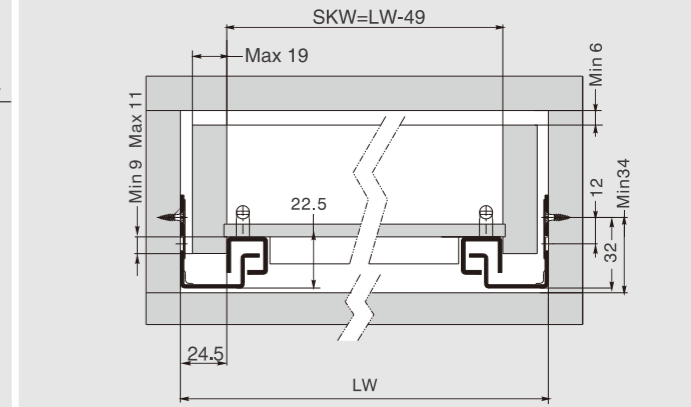


Screw Positions of the Slides(mm)

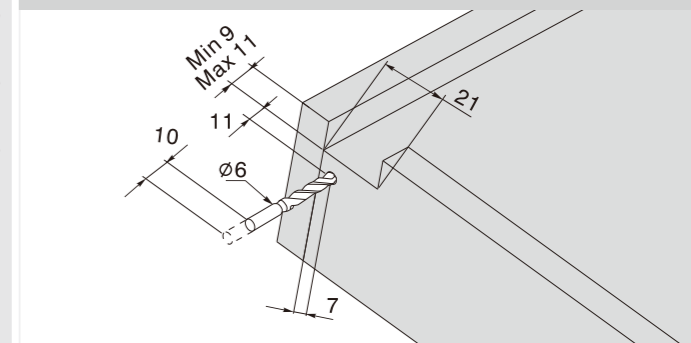


Installation Dimensions(mm)

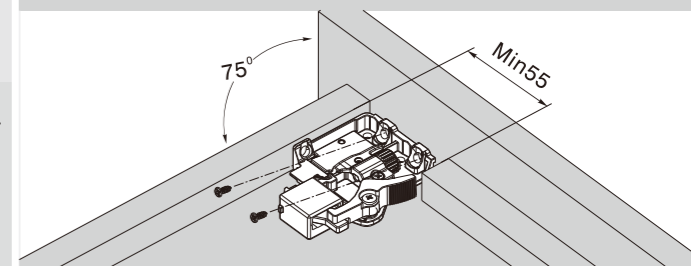
LW=Internal Cabinet Width



Drawer Back Preparation(mm)



Locking Device Installation(mm)





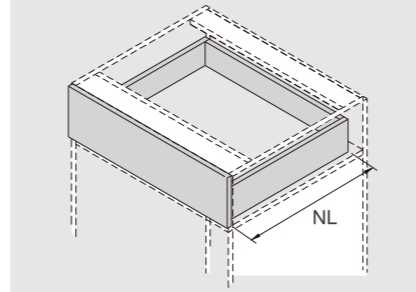
PRODUCT



DESCRIPTION

- Load capacity: 25kg
- Finish: zink plated
- Length: 250-600mm
- Partial extension
- Drawer up&down adjustment: 0~+4mm
- Tool free assembly and removal of drawer
- Silent system guarantees smooth run without noise
- Maximum drawer side thickness:16mm

SPACE REQUIREMENT

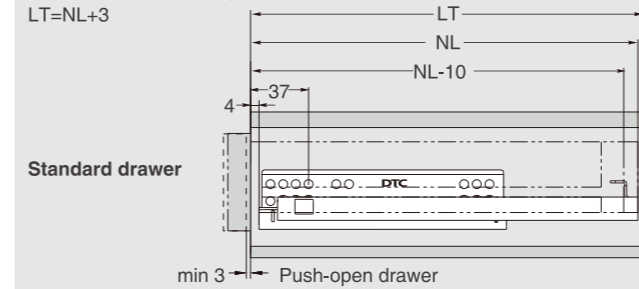


NL: Nominal Length

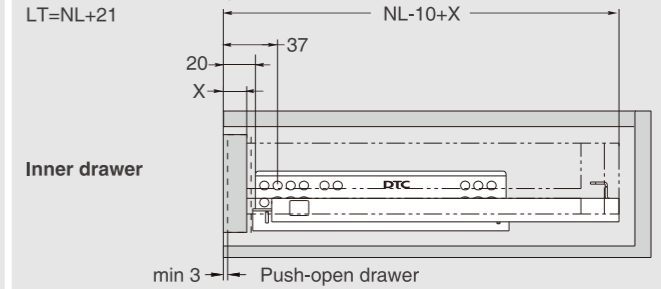
PLANNING

Installation Dimensions(mm)

NL=Nominal Slide Length
LT=Internal Cabinet Depth
LT=NL+3



NL=Nominal Slide Length
LT=Internal Cabinet Depth
LT=NL+21

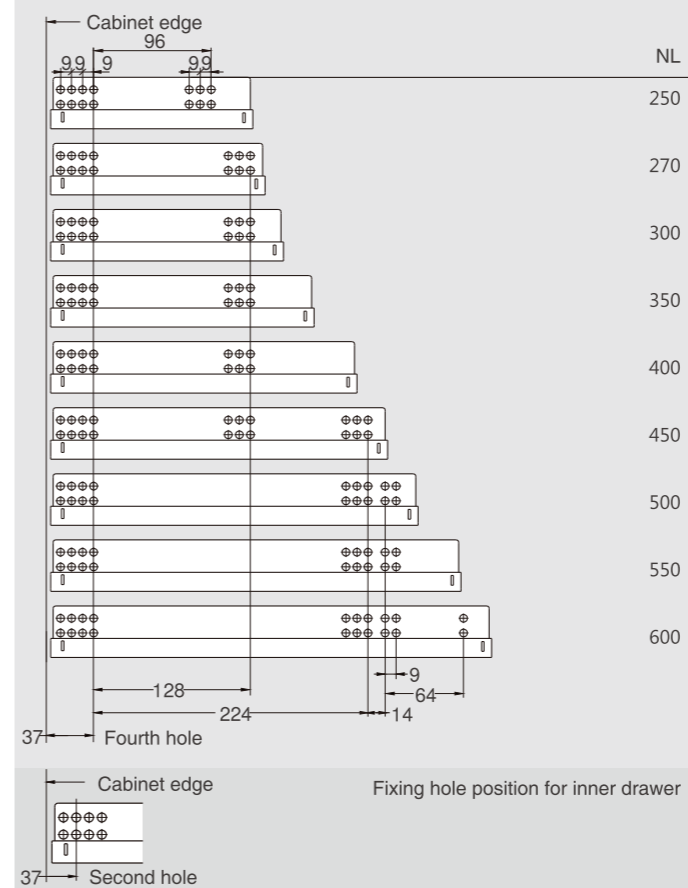


SOFT CLOSE DRAWER/PUSH-OPEN DRAWER

1 Slides (left/right)				
Pre-zinc Steel (F02)				
NL	Soft close item No.	Push-open item No.	Set/ctn	
250mm	G10250H	G02250	10	
270mm	G10270H	G02270	10	
300mm	G10300H	G02300	10	
350mm	G10350H	G02350	10	
400mm	G10400H	G02400	10	
450mm	G10450H	G02450	10	
500mm	G10500H	G02500	10	
550mm	G10550H	G02550	10	
600mm	G10600H	G02600	10	

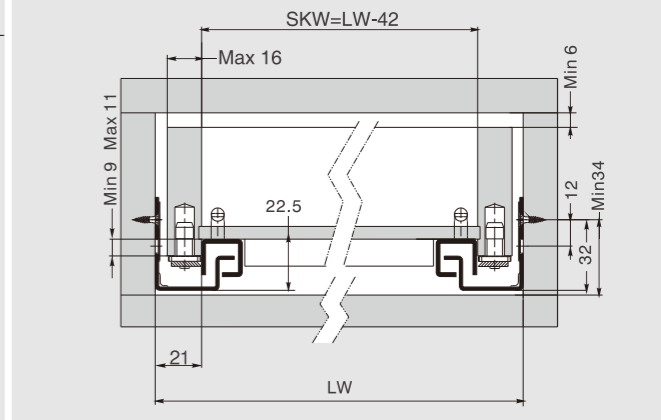
2 Locking Pin	
Item No.	GJS02
Grey(H11)	

Screw Positions of the Slides(mm)

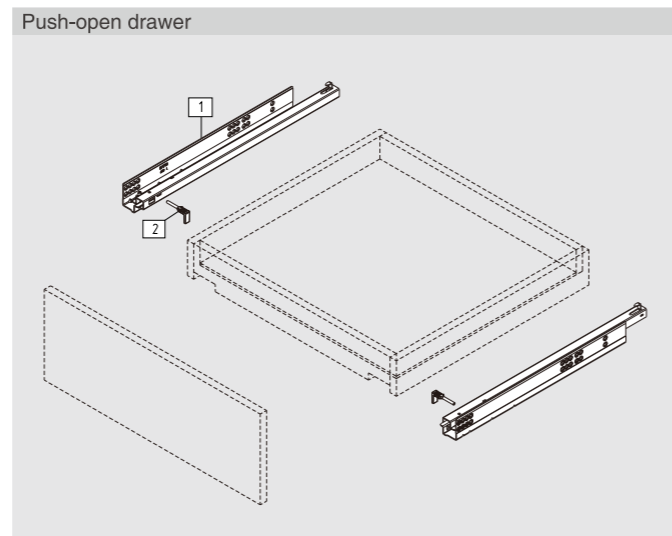
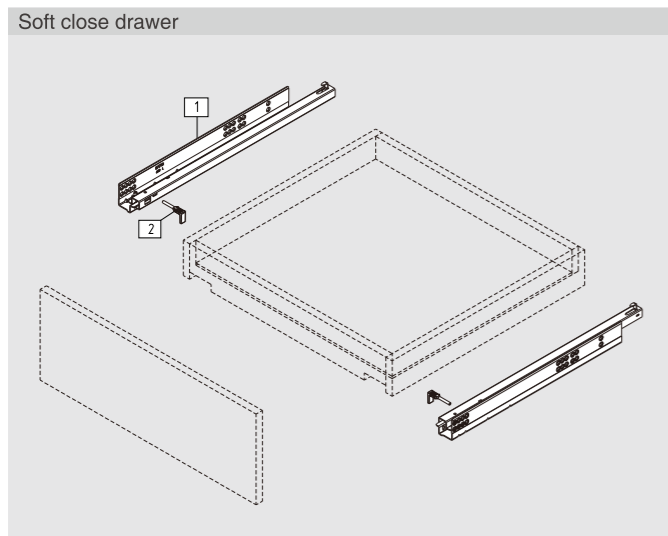
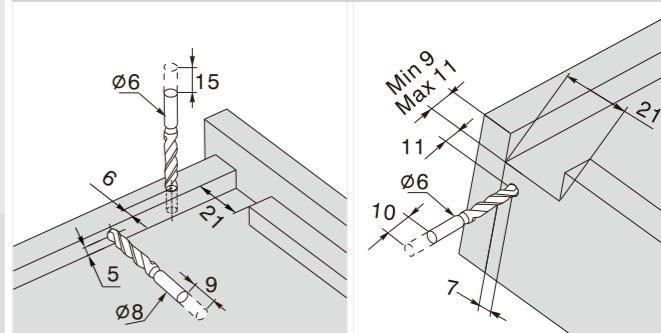


Installation Dimensions(mm)

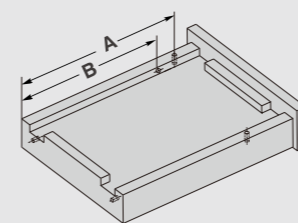
LW=Internal Cabinet Width



Drawer Preparation(mm)

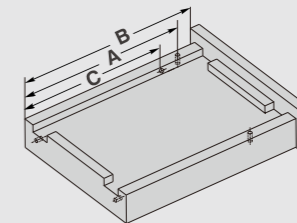


Soft close drawer



NL (mm)	A (mm)	B (mm)
250	220	188
270	230	198
300	245	213
350	270	238
400	305	273
450	330	298
500	355	323
550	390	358
600	415	383

Push-open drawer



NL (mm)	B (mm)	A (mm)	C (mm)
250	240	221	189
270	260	241	209
300	290	271	239
350	340	321	289
400	390	371	339
450	440	421	389
500	490	471	439
550	540	521	489
600	590	571	539



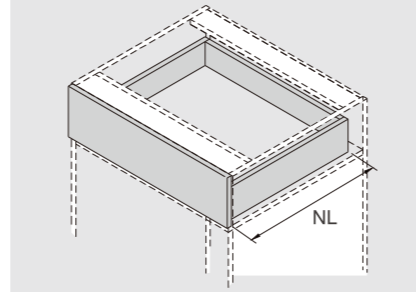
PRODUCT



DESCRIPTION

- Load capacity: 25kg
- Finish: zink plated
- Length: 250-600mm
- Partial extension
- Drawer up&down adjustment: 0~+4mm
- Tool free assembly and removal of drawer
- Silent system guarantees smooth run without noise
- Maximum drawer side thickness: 19mm

SPACE REQUIREMENT

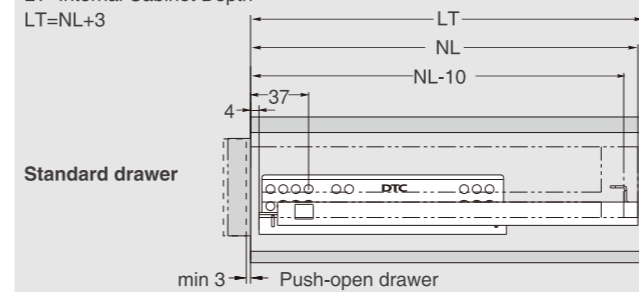


NL: Nominal Length

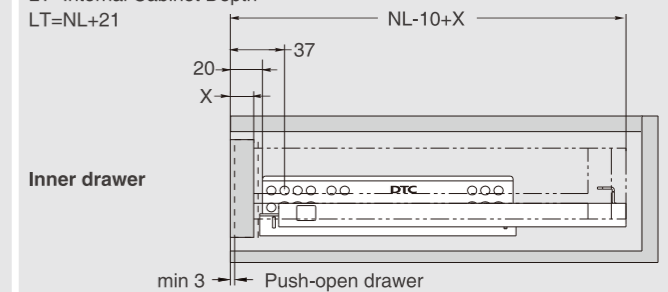
PLANNING

Installation Dimensions(mm)

NL=Nominal Slide Length
LT=Internal Cabinet Depth
LT=NL+3



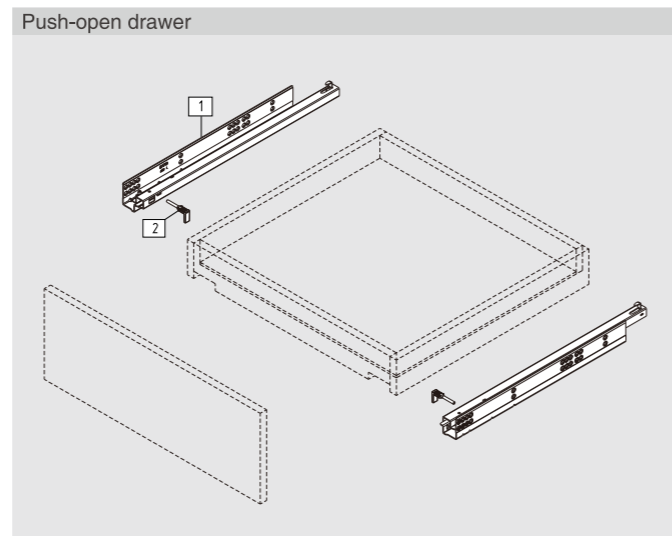
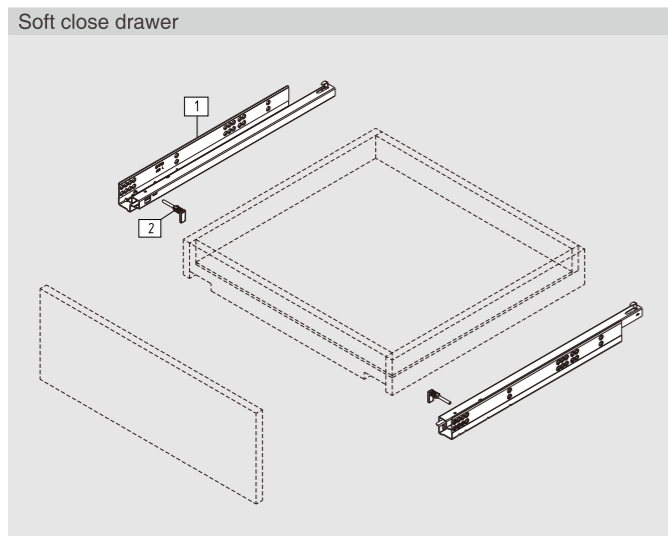
NL=Nominal Slide Length
LT=Internal Cabinet Depth
LT=NL+21



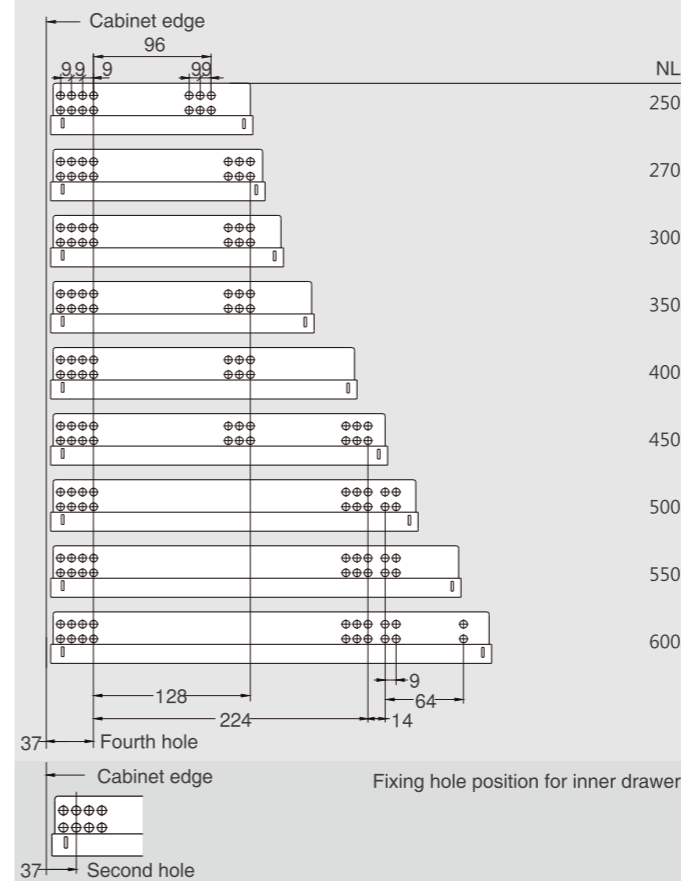
SOFT CLOSE DRAWER/PUSH-OPEN DRAWER

1 Slides (left/right)				
Pre-zinc Steel (F02)				
NL	Soft close item No.	Push-open item No.	Set/ctn	
250mm	G80250H	G07250	10	
270mm	G80270H	G07270	10	
300mm	G80300H	G07300	10	
350mm	G80350H	G07350	10	
400mm	G80400H	G07400	10	
450mm	G80450H	G07450	10	
500mm	G80500H	G07500	10	
550mm	G80550H	G07550	10	
600mm	G80600H	G07600	10	

2 Locking Pin	
Item No.	GJS02
Grey(H11)	

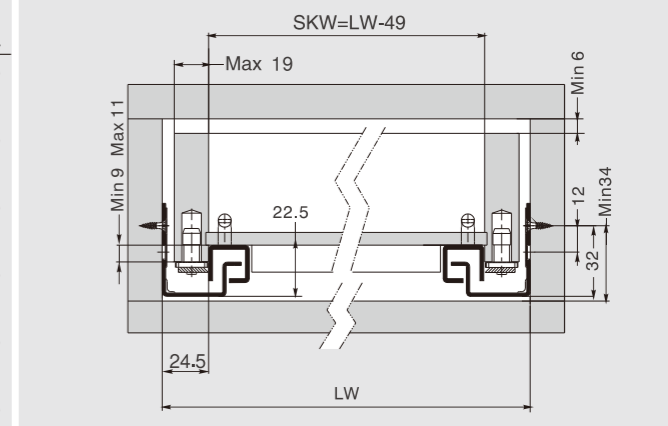


Screw Positions of the Slides(mm)

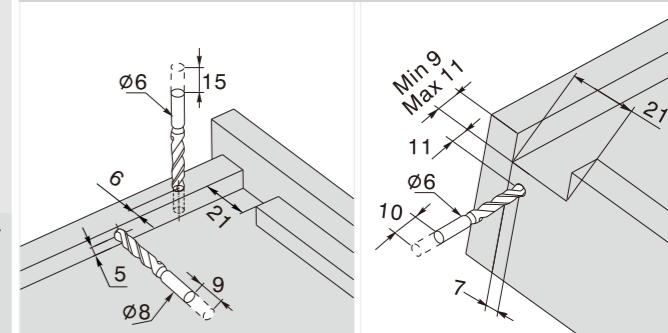


Installation Dimensions(mm)

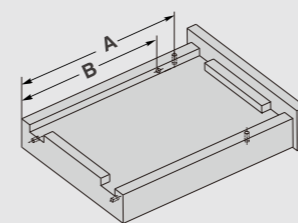
LW=Internal Cabinet Width



Drawer Preparation(mm)

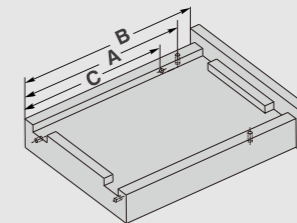


Soft close drawer



NL (mm)	A (mm)	B (mm)
250	220	188
270	230	198
300	245	213
350	270	238
400	305	273
450	330	298
500	355	323
550	390	358
600	415	383

Push-open drawer



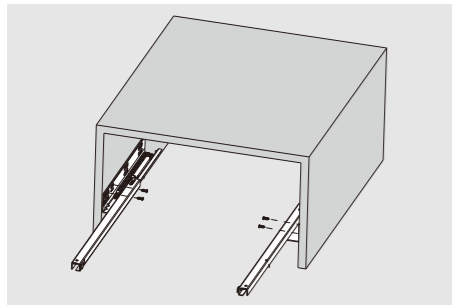
NL (mm)	B (mm)	A (mm)	C (mm)
250	240	221	189
270	260	241	209
300	290	271	239
350	340	321	289
400	390	371	339
450	440	421	389
500	490	471	439
550	540	521	489
600	590	571	539

ASSEMBLY AND ADJUSTMENT

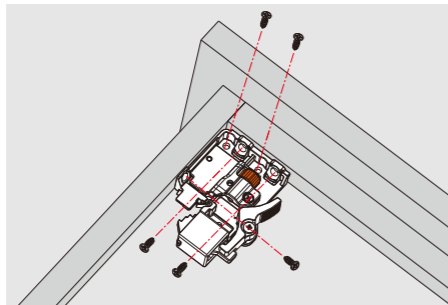
Assembly and Adjustment
(for D-MOTION Partial Extension Undermount Slides)



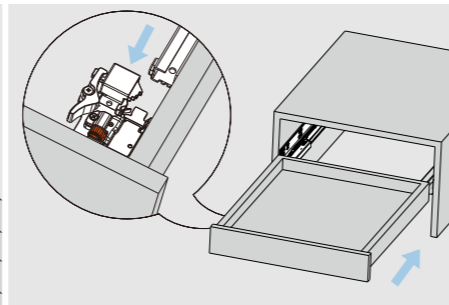
Drawer Assembly with Locking Device



Fix the slide onto the cabinet.

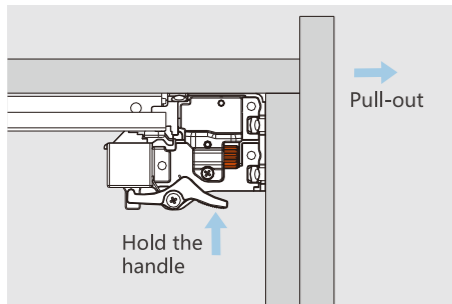


Fix the locking device onto the drawer bottom.

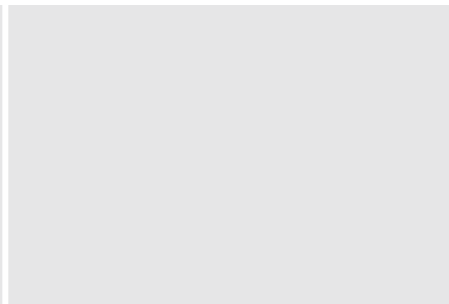
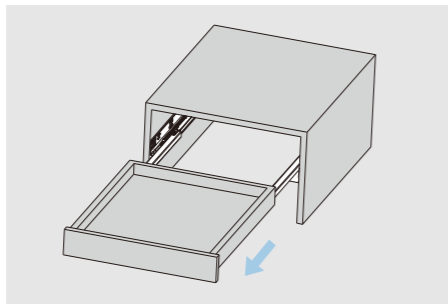


Lay the drawer bottom onto the slide then push the drawer into the cabinet.

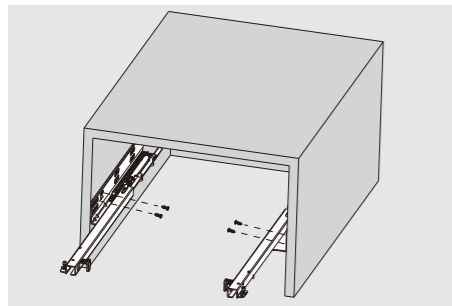
Removal with Locking Device



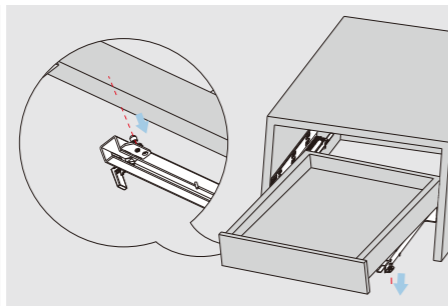
For removal, hold the handle and pull out the drawer.



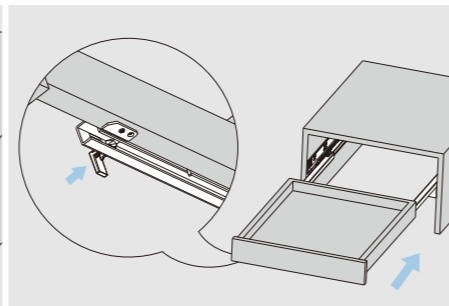
Drawer Assembly with Peg



Fix the slide onto the cabinet.

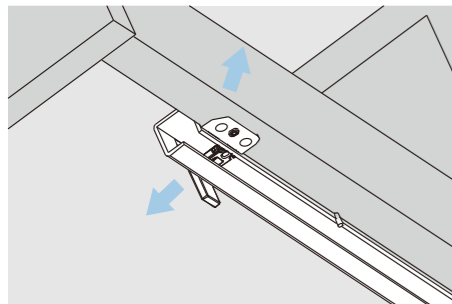


Pull out the drawer member of the slide from the cabinet, lay the drawer onto the slide.

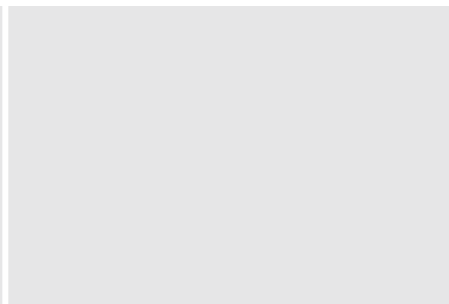
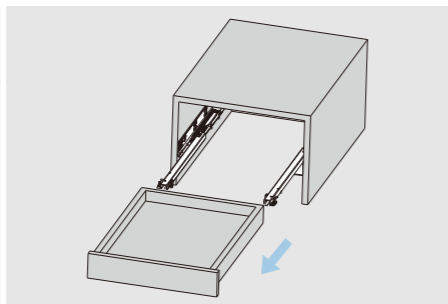


Press the locking pin into the drawer side to lock the position of the drawer.

Removal with Peg



For removal, pull out the locking pin from the drawer side. Lift the drawer and pull it out from the cabinet.



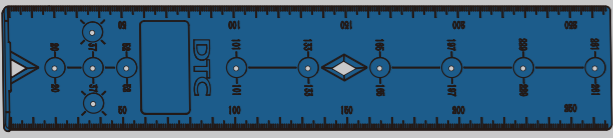
We are continuously developing new products.
For updated product information, please log onto www.dtc.dtc.com

ACCESSORY

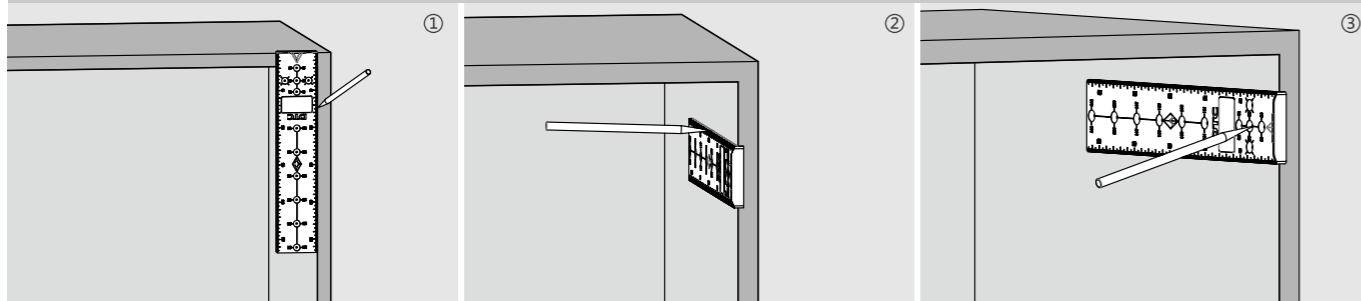
Marking Template (for Drawer Slide System)



Order Information

	Universal Marking Template
	Blue (H23)
Item No.	DT02
Pcs/ctn	100

Marking Position

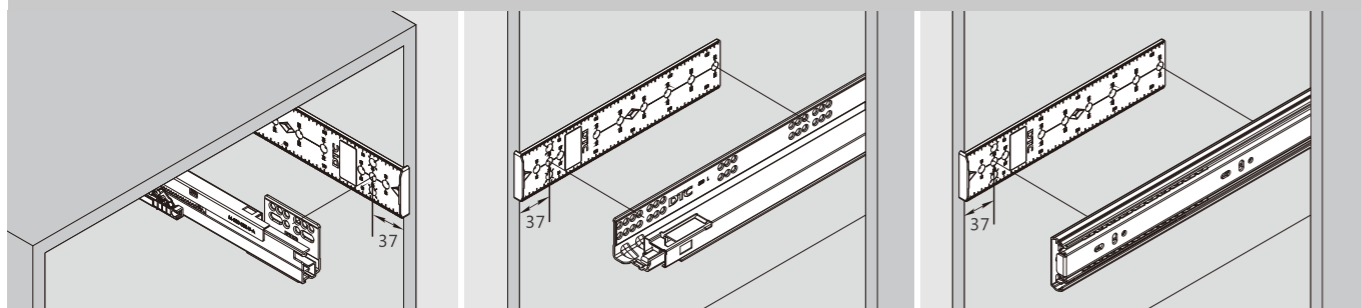


①② Mark the vertical position of mounting hole

③ Mark the longitudinal position of mounting hole

Application

Drawer Slide System: Double-wall Drawer System / Undermount Slide Series / Ball Bearing Slide Series

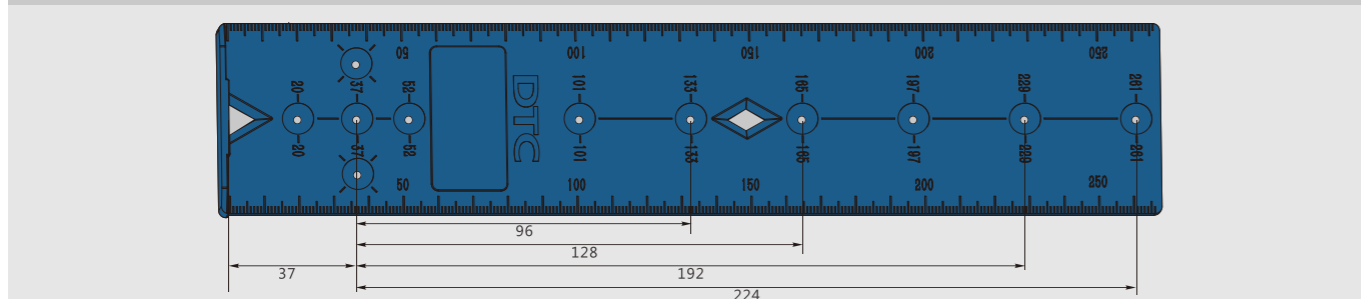


Double-wall Drawer System

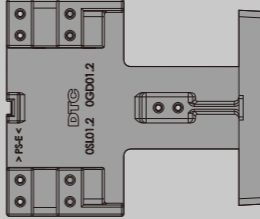
Undermount Slide Series

Ball Bearing Slide Series

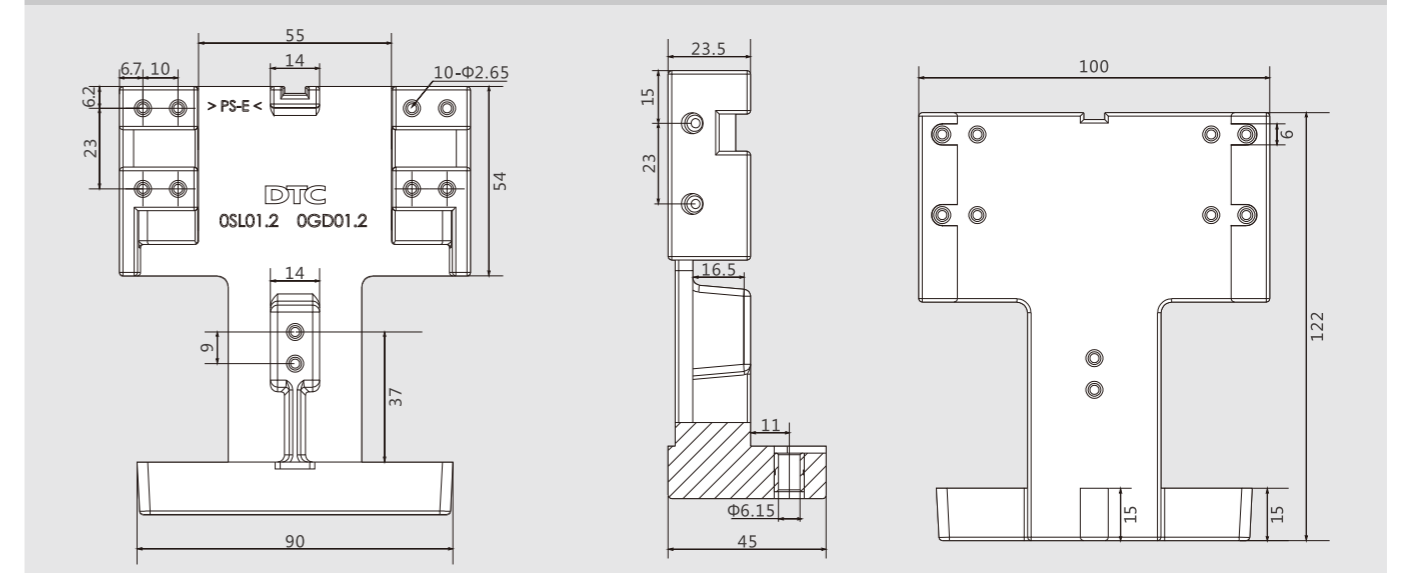
Mounting Hole Positions for Drawer Slide System



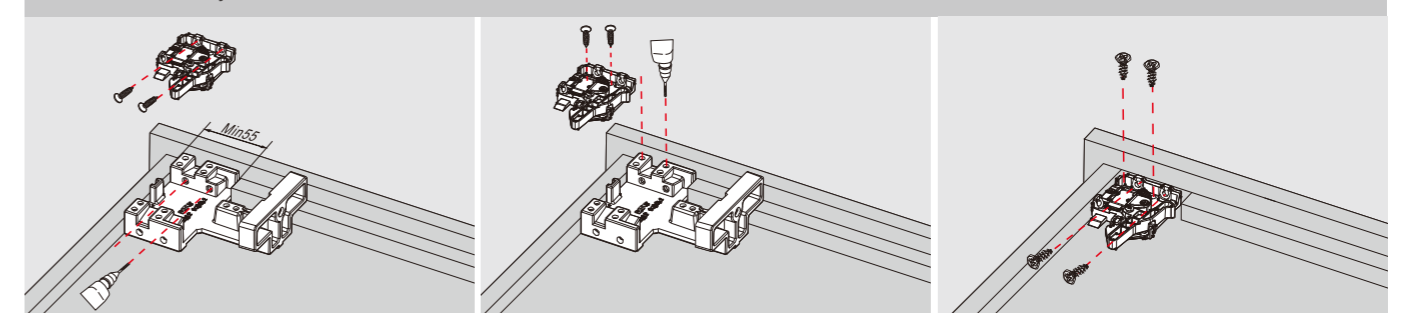
Order Information

	Undermount Slide Drawer Assembly Tool
Item No.	DT01
Pcs/ctn	20

Assembly Tool Dimensions(mm)

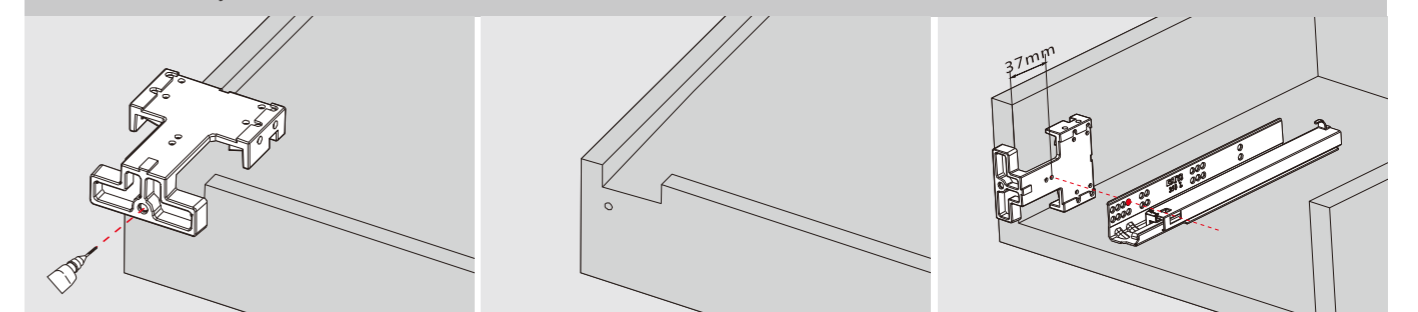


Drawer Assembly



Mark the position of the locking device and fix the locking device onto the drawer bottom

Drawer Assembly



Drill a hole (Φ6, depth 10mm)

mark the position of the fourth hole for standard drawer