

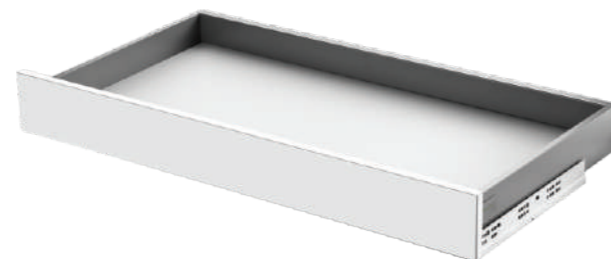


# MAGIC BOX



## Magic box-80mm

- Full extension with self closing and soft closing/Rebound
- Fashionable appearance,slow motion,easy assembling
- Drawer height 80MM
- Synchronized concealed slide, loading capacity 30KGS
- Epoxy coated
- 3D regulations,up and down,left and right,front and back
- Mat:steel



# MAGIC BOX

► H80



## Order information

Nominal length	H80mm Magic box item code			
	Front fixing bracket			
	Dowel-Soft closing	Screw-Soft closing	Dowel-Rebound	Screw-Rebound
270 mm	DBE2.270A.(*)	DBE1.270A.(*)	DBRE2.270A.(*)	DBRE1.270A.(*)
300 mm	DBE2.300A.(*)	DBE1.300A.(*)	DBRE2.300A.(*)	DBRE1.300A.(*)
350 mm	DBE2.350A.(*)	DBE1.350A.(*)	DBRE2.350A.(*)	DBRE1.350A.(*)
400 mm	DBE2.400A.(*)	DBE1.400A.(*)	DBRE2.400A.(*)	DBRE1.400A.(*)
450 mm	DBE2.450A.(*)	DBE1.450A.(*)	DBRE2.450A.(*)	DBRE1.450A.(*)
500 mm	DBE2.500A.(*)	DBE1.500A.(*)	DBRE2.500A.(*)	DBRE1.500A.(*)
550 mm	DBE2.550A.(*)	DBE1.550A.(*)	DBRE2.550A.(*)	DBRE1.550A.(*)

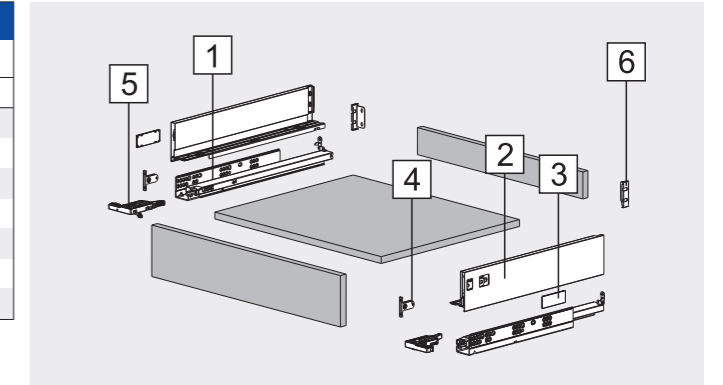
Remarks:  
 (\*)-Color: Matt white (MW) / Dark grey(DG)  
 The complete set basic components includes : 1.Concealed slide Left/Right  
 2.Drawer side Left/Right 3.Plastic covers 1\*2pcs 4.Front fixing brackets 1\*2pcs  
 5.Clip-on fixing Left/Right 6.Back panel adapters 1\*2pcs

1.Concealed slide Left/Right	
Description	Concealed slide-Soft closing
	DBE.(*)SL.ZP
	Concealed slide - Rebound
	DBRE.(*)SL.ZP
Remarks:(*)-Nominal length:270/300/350/400/450/500/550	

3.Plastic covers	
Description	Plastic covers
	DA1101E1.(*)
Remarks:(*)-Color: Matt white (MW) / Dark grey(DG)	

5.Clip-on fixing Left/Right		6.Back panel adapters	
Description	Clip-on fixing Left/Right	Description	Back panel adapters
	DBE.SL1.GR		DA1103E1.80.(*)
		Remarks:(*)-Color: Matt white (MW) / Dark grey(DG)	

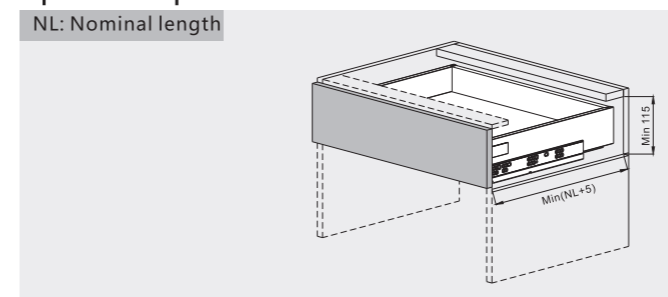
## Product breakdown drawing



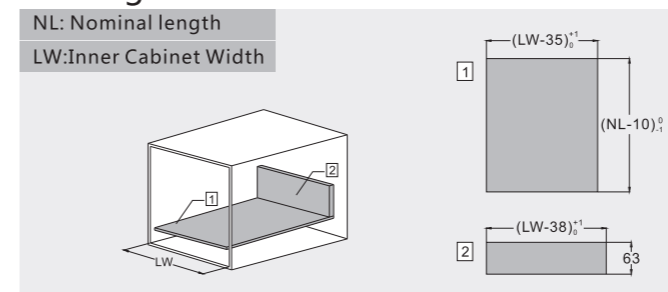
2.Drawer side Left/Right	
Description	Drawer side Left/Right
	DBE.(*)AW.(*)
Remarks:(*)-Nominal length:270/300/350/400/450/500/550 (*)-Color: Matt white (MW) / Dark grey(DG)	

4.Front fixing brackets			
Description		Front fixing brackets	
Dowel	Screw	Dowel	Screw
		DA1102E2.ZP	DA1102E1.ZP

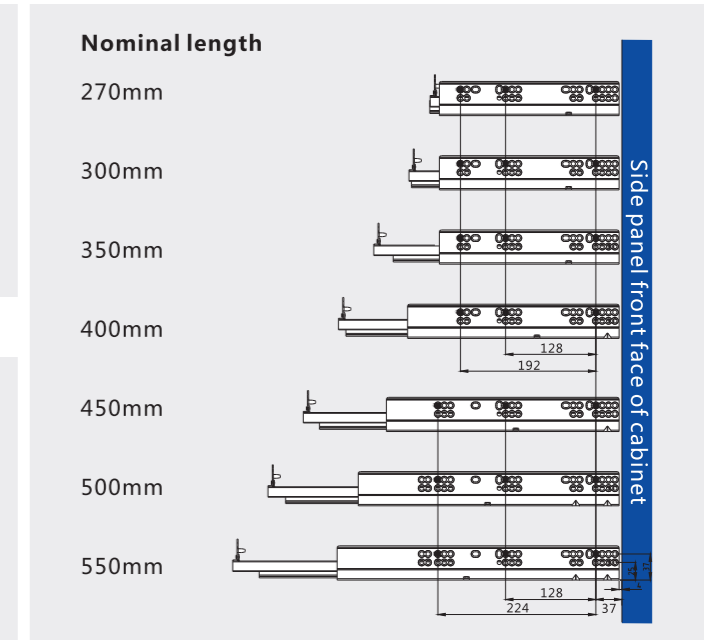
## Space required



## Cutting size



## Runner Installation





## Magic box-120mm

- Full extension with self closing and soft closing/Rebound
- Fashionable appearance,slow motion,easy assembling
- Drawer height 120MM
- Synchronized concealed slide, loading capacity 30KGS
- Epoxy coated
- 3D regulations,up and down,left and right,front and back
- Mat:steel



# MAGIC BOX

► H120



## Order information

Nominal length	H120mm Magic box item code			
	Front fixing bracket			
	Dowel-Soft closing	Screw-Soft closing	Dowel-Rebound	Screw-Rebound
270 mm	DBE2.270B.(*)	DBE1.270B.(*)	DBRE2.270B.(*)	DBRE1.270B.(*)
300 mm	DBE2.300B.(*)	DBE1.300B.(*)	DBRE2.300B.(*)	DBRE1.300B.(*)
350 mm	DBE2.350B.(*)	DBE1.350B.(*)	DBRE2.350B.(*)	DBRE1.350B.(*)
400 mm	DBE2.400B.(*)	DBE1.400B.(*)	DBRE2.400B.(*)	DBRE1.400B.(*)
450 mm	DBE2.450B.(*)	DBE1.450B.(*)	DBRE2.450B.(*)	DBRE1.450B.(*)
500 mm	DBE2.500B.(*)	DBE1.500B.(*)	DBRE2.500B.(*)	DBRE1.500B.(*)
550 mm	DBE2.550B.(*)	DBE1.550B.(*)	DBRE2.550B.(*)	DBRE1.550B.(*)

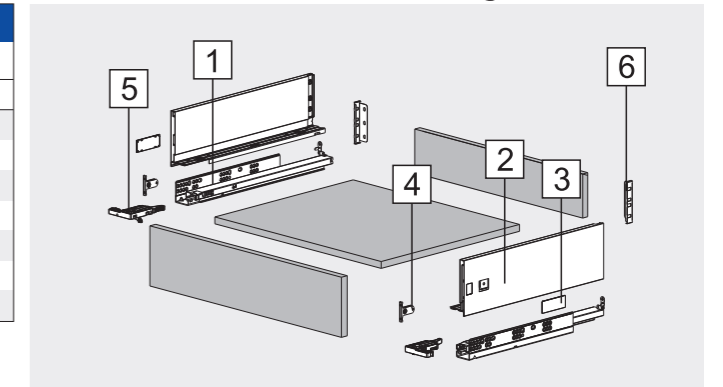
Remarks:  
 (\*)Color: Matt white (MW) / Dark grey(DG)  
 The complete set basic components includes : 1.Concealed slide Left/Right  
 2.Drawer side Left/Right 3.Plastic covers 1\*2pcs 4.Front fixing brackets 1\*2pcs  
 5.Clip-on fixing Left/Right 6.Back panel adapters 1\*2pcs

1.Concealed slide Left/Right	
Description	Concealed slide-Soft closing
	DBE.(*)SL.ZP
	Concealed slide - Rebound
	DBRE.(*)SL.ZP
Remarks:(*):Nominal length:270/300/350/400/450/500/550	

3.Plastic covers	
Description	Plastic covers
	DA1101E1.(*)
Remarks:(*):Color: Matt white (MW) / Dark grey(DG)	

5.Clip-on fixing Left/Right		6.Back panel adapters	
Description	Clip-on fixing Left/Right	Description	Back panel adapters
	DBE.SL1.GR		DA1103E1.120.(*)
		Remarks:(*):Color: Matt white (MW) / Dark grey(DG)	

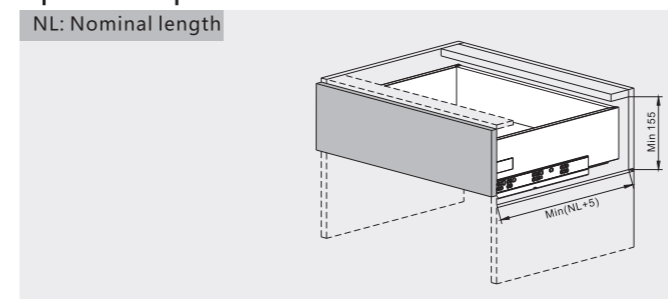
## Product breakdown drawing



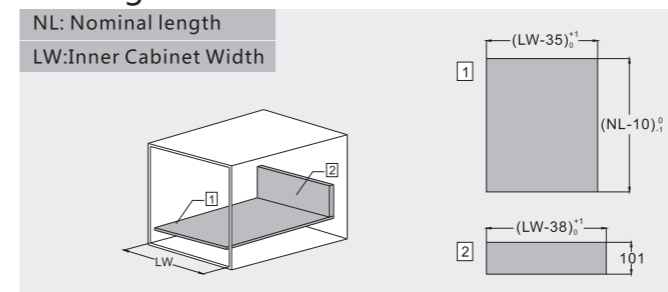
2.Drawer side Left/Right	
Description	Drawer side Left/Right
	DBE.(*)BW.(*)
Remarks:(*):Nominal length:270/300/350/400/450/500/550 (**)Color: Matt white (MW) / Dark grey(DG)	

4.Front fixing brackets			
Description		Front fixing brackets	
Dowel	Screw	Dowel	Screw
		DA1102E2.ZP	DA1102E1.ZP

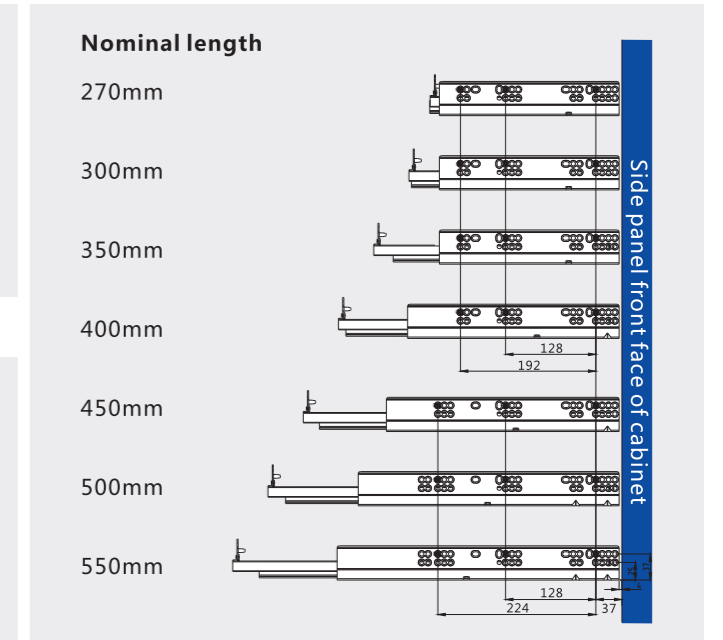
## Space required



## Cutting size



## Runner Installation





## Magic box-170mm

- Full extension with self closing and soft closing/Rebound
- Fashionable appearance,slow motion,easy assembling
- Drawer height 170MM
- Synchronized concealed slide, loading capacity 30KGS
- Epoxy coated
- 3D regulations,up and down,left and right,front and back
- Mat:steel



# MAGIC BOX

► H170



## Order information

Nominal length	H170mm Magic box item code			
	Front fixing bracket			
	Dowel-Soft closing	Screw-Soft closing	Dowel-Rebound	Screw-Rebound
270 mm	DBE4.270C.(*)	DBE3.270C.(*)	DBRE4.270C.(*)	DBRE3.270C.(*)
300 mm	DBE4.300C.(*)	DBE3.300C.(*)	DBRE4.300C.(*)	DBRE3.300C.(*)
350 mm	DBE4.350C.(*)	DBE3.350C.(*)	DBRE4.350C.(*)	DBRE3.350C.(*)
400 mm	DBE4.400C.(*)	DBE3.400C.(*)	DBRE4.400C.(*)	DBRE3.400C.(*)
450 mm	DBE4.450C.(*)	DBE3.450C.(*)	DBRE4.450C.(*)	DBRE3.450C.(*)
500 mm	DBE4.500C.(*)	DBE3.500C.(*)	DBRE4.500C.(*)	DBRE3.500C.(*)
550 mm	DBE4.550C.(*)	DBE3.550C.(*)	DBRE4.550C.(*)	DBRE3.550C.(*)

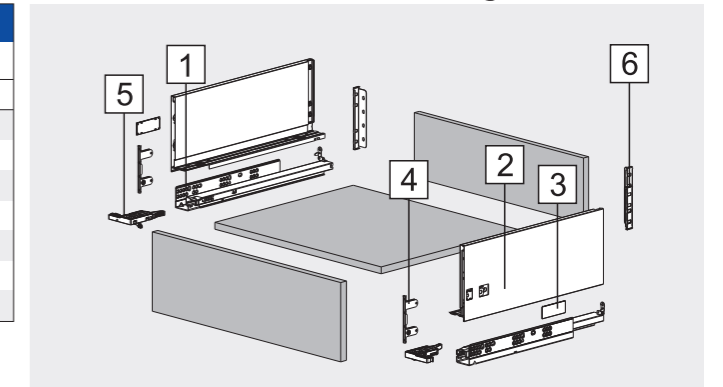
Remarks:  
 (\*)Color: Matt white (MW) / Dark grey(DG)  
 The complete set basic components includes : 1.Concealed slide Left/Right  
 2.Drawer side Left/Right 3.Plastic covers 1\*2pcs 4.Front fixing brackets 1\*2pcs  
 5.Clip-on fixing Left/Right 6.Back panel adapters 1\*2pcs

1.Concealed slide Left/Right		
Description	Concealed slide-Soft closing	Concealed slide - Rebound
	DBE.(*)SL.ZP	DBRE.(*)SL.ZP
Remarks:(*):Nominal length:270/300/350/400/450/500/550		

3.Plastic covers	
Description	Plastic covers
	DA1101E1.(*)
Remarks:(*):Color: Matt white (MW) / Dark grey(DG)	

5.Clip-on fixing Left/Right		6.Back panel adapters	
Description	Clip-on fixing Left/Right	Description	Back panel adapters
	DBE.SL1.GR		DA1103E1.170.(*)
		Remarks:(*):Color: Matt white (MW) / Dark grey(DG)	

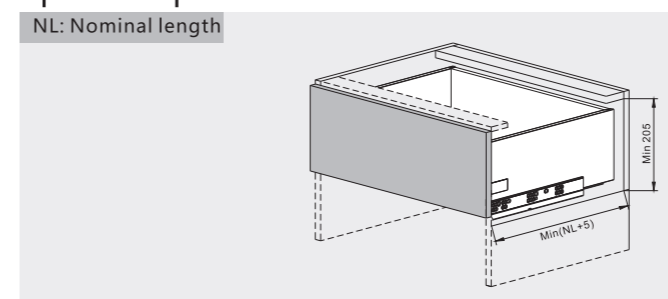
## Product breakdown drawing



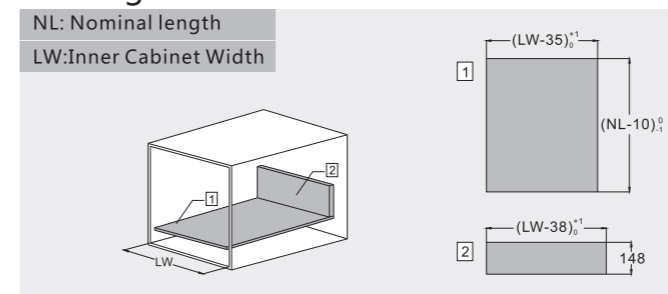
2.Drawer side Left/Right	
Description	Drawer side Left/Right
	DBE.(*)CW.(*)
Remarks:(*):Nominal length:270/300/350/400/450/500/550 (*)Color: Matt white (MW) / Dark grey(DG)	

4.Front fixing brackets			
Description		Front fixing brackets	
Dowel	Screw	Dowel	Screw
		DA1102E4.ZP	DA1102E3.ZP

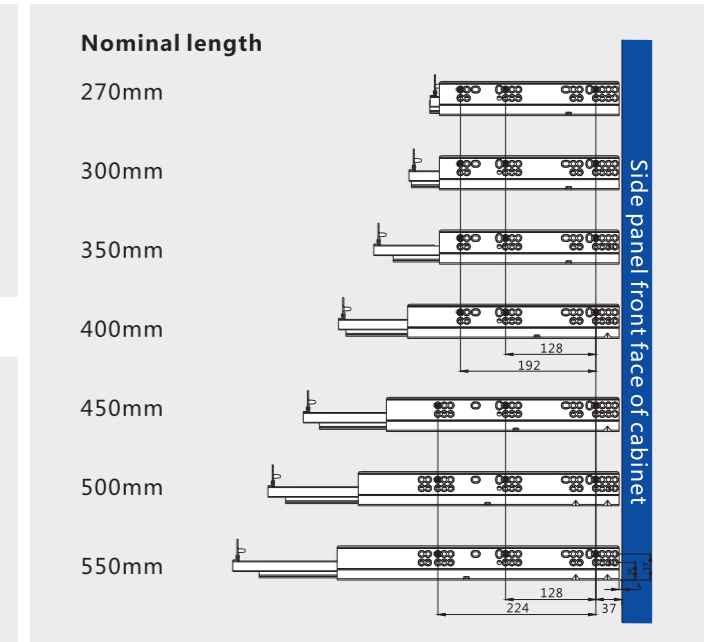
## Space required



## Cutting size



## Runner Installation





# MAGIC BOX

- ▶ H=Any height
- ▶▶ with square railing



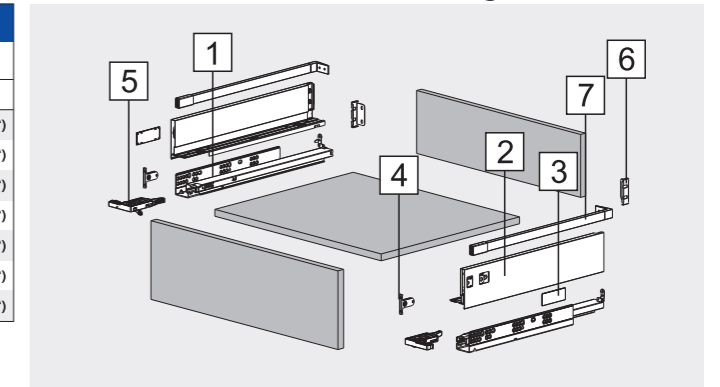
## Order information

### Any height Magic box item code(with square railing)

Nominal length	Front fixing bracket			
	Dowel-Soft closing	Screw-Soft closing	Dowel-Rebound	Screw-Rebound
270 mm	DBE2.270EC1.(*)	DBE1.270EC1.(*)	DBRE2.270EC1.(*)	DBRE1.270EC1.(*)
300 mm	DBE2.300EC1.(*)	DBE1.300EC1.(*)	DBRE2.300EC1.(*)	DBRE1.300EC1.(*)
350 mm	DBE2.350EC1.(*)	DBE1.350EC1.(*)	DBRE2.350EC1.(*)	DBRE1.350EC1.(*)
400 mm	DBE2.400EC1.(*)	DBE1.400EC1.(*)	DBRE2.400EC1.(*)	DBRE1.400EC1.(*)
450 mm	DBE2.450EC1.(*)	DBE1.450EC1.(*)	DBRE2.450EC1.(*)	DBRE1.450EC1.(*)
500 mm	DBE2.500EC1.(*)	DBE1.500EC1.(*)	DBRE2.500EC1.(*)	DBRE1.500EC1.(*)
550 mm	DBE2.550EC1.(*)	DBE1.550EC1.(*)	DBRE2.550EC1.(*)	DBRE1.550EC1.(*)

Remarks:  
 (\*)Color: Matt white (MW) / Dark grey(DG)  
 The complete set basic components includes : 1.Concealed slide Left/Right  
 2.Drawer side Left/Right 3.Plastic covers 1\*2pcs 4.Front fixing brackets 1\*2pcs  
 5.Clip-on fixing Left/Right 6.Back panel adapters 1\*2pcs 7.Square railing Left/Right

## Product breakdown drawing



### 1.Concealed slide Left/Right

Description	Concealed slide-Soft closing	Concealed slide - Rebound
	DBE.(*)SL.ZP	DBRE.(*)SL.ZP
	Remarks:(*)Nominal length:270/300/350/400/450/500/550	

### 2.Drawer side Left/Right

Description	Drawer side Left/Right
	DBE.(*)AW.(*)
	Remarks:(*)Nominal length:270/300/350/400/450/500/550 (*)Color: Matt white (MW) / Dark grey(DG)

### 3.Plastic covers

Description	Plastic covers
	DA1101E1.(*)
	Remarks:(*)Color: Matt white (MW) / Dark grey(DG)

### 4.Front fixing brackets

Description		Front fixing brackets	
Dowel	Screw	Dowel	Screw
		DA1102E2.ZP	DA1102E1.ZP

### 5.Clip-on fixing Left/Right

Description	Clip-on fixing Left/Right
	DBE.SL1.GR

### 6.Back panel adapters

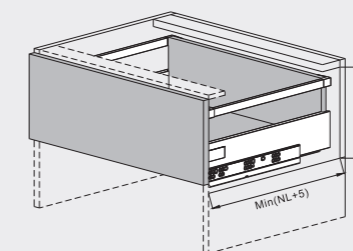
Description	Back panel adapters
	DA1103E1.80.(*)
	Remarks:(*)Color: Matt white (MW) / Dark grey(DG)

### 7.Square railing Left/Right

Description	Square railing Left/Right
	DA2101E1.(*).(*)
	Remarks:(*)Nominal length:270/300/350/400/450/500/550 (*)Color: Matt white (MW) / Dark grey(DG)

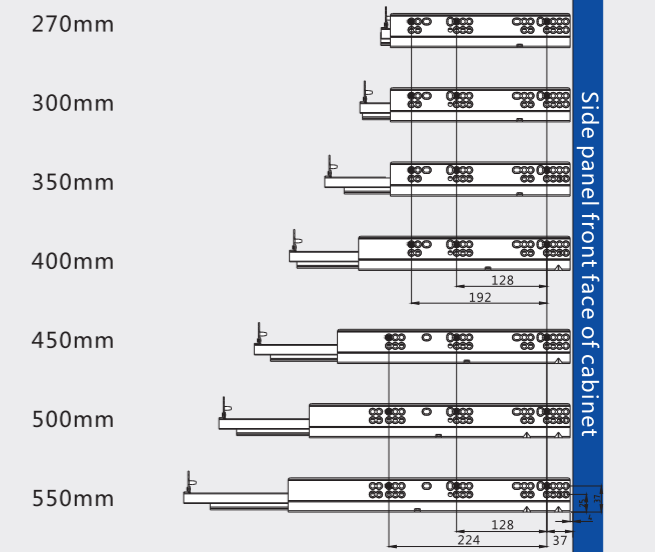
## Space required

NL: Nominal length



## Runner Installation

Nominal length



## Magic box-Any height

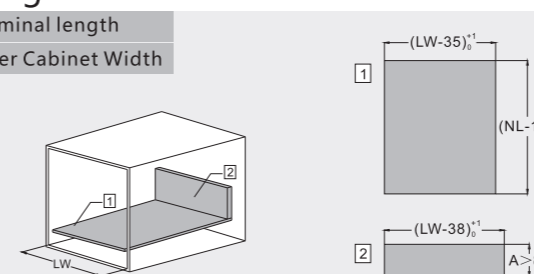
- Full extension with self closing and soft closing/Rebound
- Fashionable appearance,slow motion,easy assembling
- Any height ,with square railing
- Synchronized concealed slide, loading capacity 30KGS
- Epoxy coated
- 3D regulations,up and down,left and right,front and back
- Mat:steel



## Cutting size

NL: Nominal length

LW:Inner Cabinet Width



# INNER MAGIC BOX

- ▶ H80
- ▶▶ Inner aluminium panel

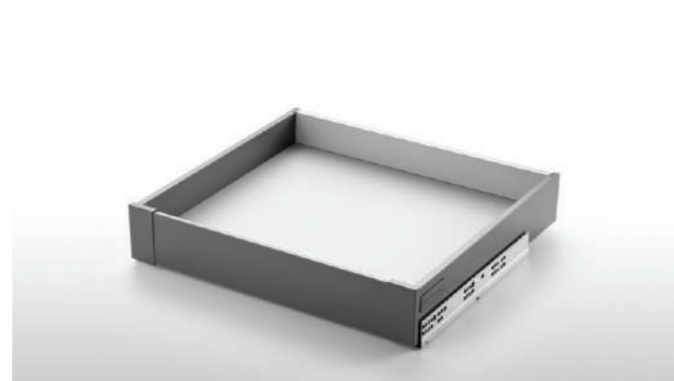
Design	The Installation

## Order information

H=80mm Magic box inner drawer components		
Item code		The complete set basic components includes
Single door	Double doors	1.Plastic bracket Left/Rjght
DA6104ES.040A.(*)	DA6104ED.040A.(*)	2.Inner front cover Left/Right
DA6104ES.045A.(*)	DA6104ED.045A.(*)	3.Aluminium front panel
DA6104ES.050A.(*)	DA6104ED.050A.(*)	
DA6104ES.055A.(*)	DA6104ED.055A.(*)	
DA6104ES.060A.(*)	DA6104ED.060A.(*)	
DA6104ES.080A.(*)	DA6104ED.080A.(*)	
DA6104ES.090A.(*)	DA6104ED.090A.(*)	
DA6104ES.100A.(*)	DA6104ED.100A.(*)	
DA6104ES.120A.(*)	DA6104ED.120A.(*)	

Remarks:  
(\*):Color: Matt white (MW) / Dark grey(DG)

## Product



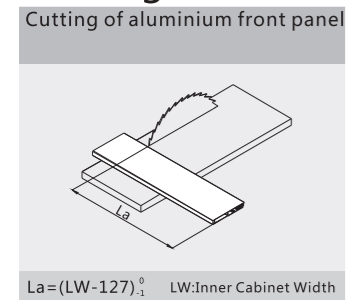
## Suitable for H=80mm inner drawer

1.Plastic bracket Left/Right	
Description	Plastic bracket Left/Rjght <b>DA6101E4.80.(*)</b>
Remarks:(*):Color: Matt white (MW) / Dark grey(DG)	

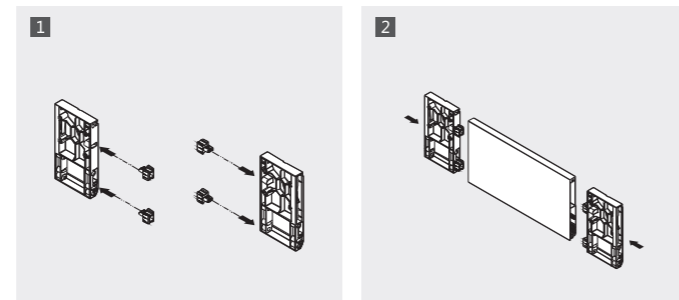
2.Inner front cover Left/Right	
Description	Inner front cover Left/Right <b>DA6102E3.80.(*)</b>
Remarks:(*):Color: Matt white (MW) / Dark grey(DG)	

3.Aluminium front panel	
Description	Aluminium front panel <b>DA6103E3.(*)A.(*)</b>
Remarks:(*):Cabinet width:040/045/050/055/060/080/090/100/120 (†):Color: Matt white (MW) / Dark grey(DG)	

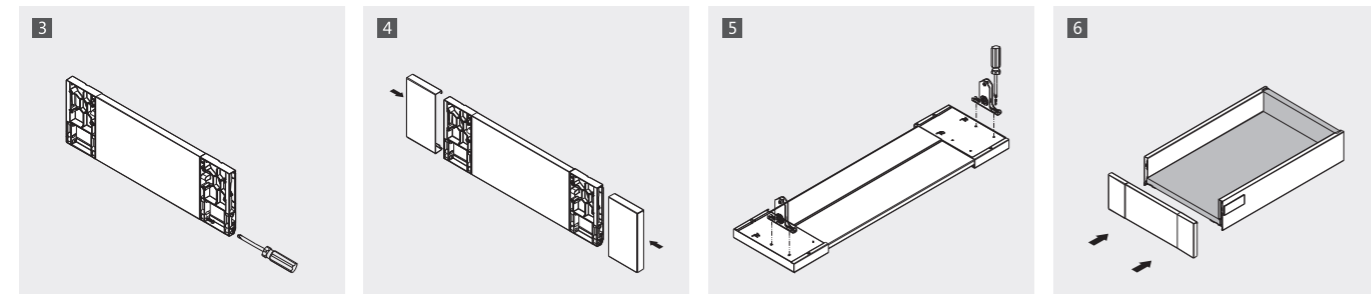
## Cutting instruction



## Installation instruction



## Installation instruction



# INNER MAGIC BOX

- ▶ H80
- ▶▶ Inner glass and aluminium panel

Design	The Installation

## Order information

H=80mm Magic box inner drawer components		
Item code		The complete set basic components includes
Single door	Double doors	1.Plastic bracket Left/Rjght
DA6103ES.040A.(*)	DA6103ED.040A.(*)	2.Inner front cover Left/Right
DA6103ES.045A.(*)	DA6103ED.045A.(*)	3.Aluminium panel
DA6103ES.050A.(*)	DA6103ED.050A.(*)	4.Inner glass panel
DA6103ES.055A.(*)	DA6103ED.055A.(*)	
DA6103ES.060A.(*)	DA6103ED.060A.(*)	
DA6103ES.080A.(*)	DA6103ED.080A.(*)	
DA6103ES.090A.(*)	DA6103ED.090A.(*)	
DA6103ES.100A.(*)	DA6103ED.100A.(*)	
DA6103ES.120A.(*)	DA6103ED.120A.(*)	

Remarks:  
(\*):Color: Matt white (MW) / Dark grey(DG)

## Product



## Suitable for H=80mm inner drawer

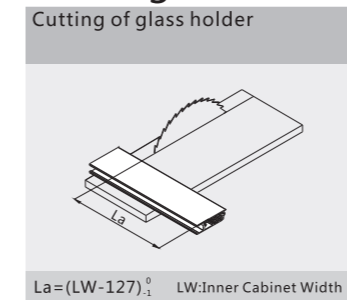
1.Plastic bracket Left/Right	
Description	Plastic bracket Left/Rjght <b>DA6101E4.80.(*)</b>
Remarks:(*):Color: Matt white (MW) / Dark grey(DG)	

2.Inner front cover Left/Right	
Description	Inner front cover Left/Right <b>DA6102E3.80.(*)</b>
Remarks:(*):Color: Matt white (MW) / Dark grey(DG)	

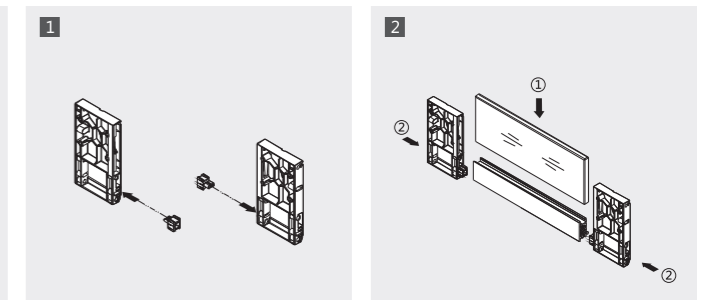
3.Aluminium panel	
Description	Aluminium panel <b>DA6103E2.(*)A.(*)</b>
Remarks:(*):Cabinet width:040/045/050/055/060/080/090/100/120 (†):Color: Matt white (MW) / Dark grey(DG)	

4.Inner glass panel	
Description	Inner glass panel <b>DA6105E1.(*)A.TR</b>
Remarks:(*):Cabinet width:040/045/050/055/060/080/090/100/120	

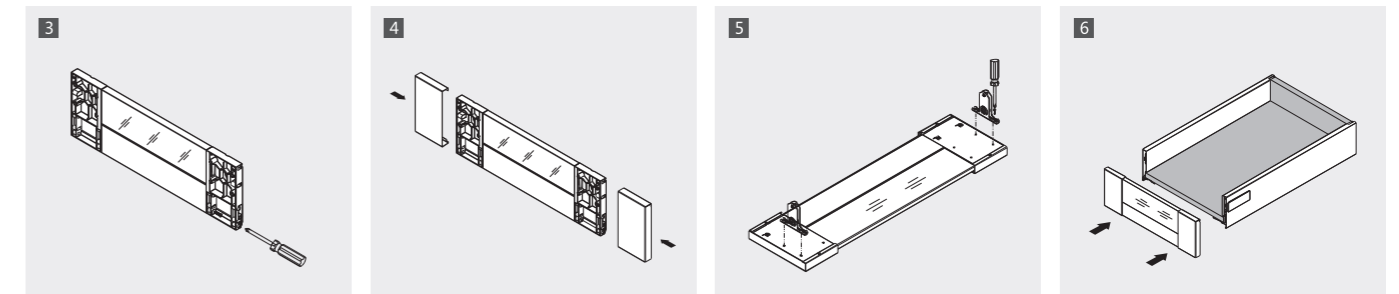
## Cutting instruction



## Installation instruction



## Installation instruction



# INNER MAGIC BOX

- ▶ H120
- ▶▶ Inner aluminium panel

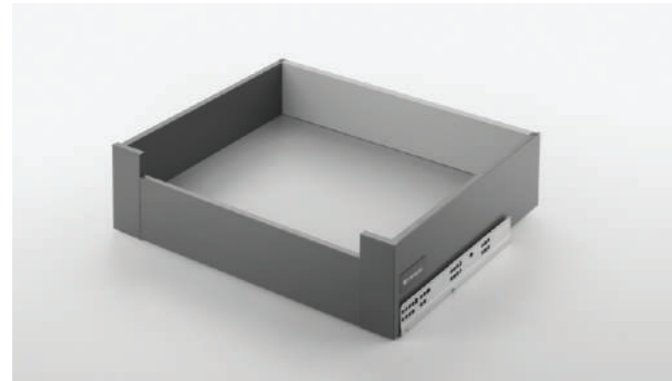
Design	The Installation

## Order information

H=120mm Magic box inner drawer components		
Item code		The complete set basic components includes
Single door	Double doors	1.Plastic bracket Left/Rjght
DA6104ES.040B.(*)	DA6104ED.040B.(*)	2.Inner front cover Left/Right
DA6104ES.045B.(*)	DA6104ED.045B.(*)	3.Aluminium front panel
DA6104ES.050B.(*)	DA6104ED.050B.(*)	
DA6104ES.055B.(*)	DA6104ED.055B.(*)	
DA6104ES.060B.(*)	DA6104ED.060B.(*)	
DA6104ES.080B.(*)	DA6104ED.080B.(*)	
DA6104ES.090B.(*)	DA6104ED.090B.(*)	
DA6104ES.100B.(*)	DA6104ED.100B.(*)	
DA6104ES.120B.(*)	DA6104ED.120B.(*)	

Remarks:  
(\*):Color: Matt white (MW) / Dark grey(DG)

## Product



## Suitable for H=120mm inner drawer

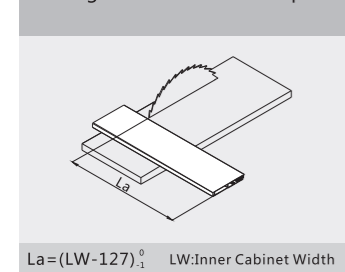
1.Plastic bracket Left/Right	
Description	Plastic bracket Left/Rjght <b>DA6101E4.120.(*)</b>
Remarks:(*):Color: Matt white (MW) / Dark grey(DG)	

2.Inner front cover Left/Right	
Description	Inner front cover Left/Right <b>DA6102E3.120.(*)</b>
Remarks:(*):Color: Matt white (MW) / Dark grey(DG)	

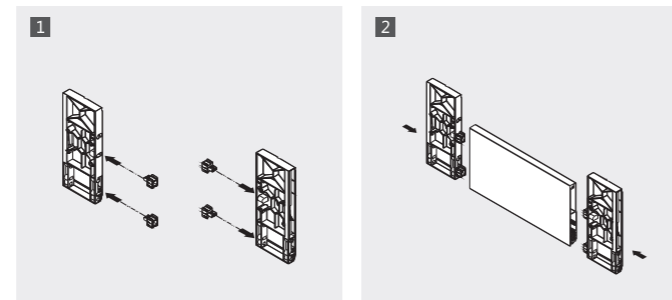
3.Aluminium front panel	
Description	Aluminium front panel <b>DA6103E3.(*)A.(*)</b>
Remarks:(*):Cabinet width:040/045/050/055/060/080/090/100/120 (*):Color: Matt white (MW) / Dark grey(DG)	

## Cutting instruction

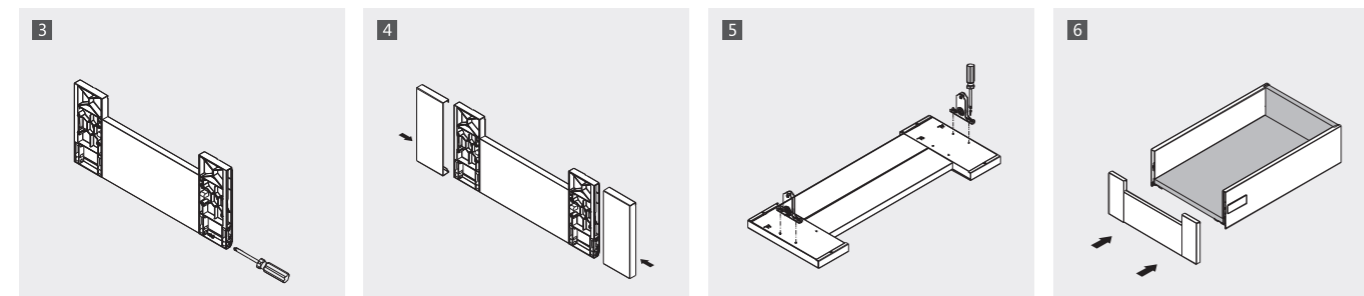
Cutting of aluminium front panel



## Installation instruction



## Installation instruction



# INNER MAGIC BOX

- ▶ H120
- ▶▶ Inner glass and aluminium panel

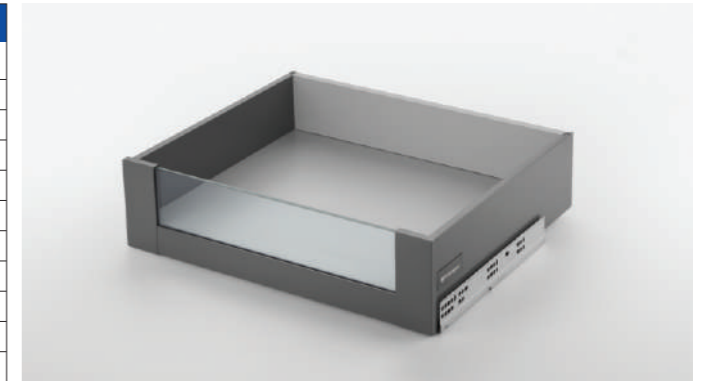
Design	The Installation

## Order information

H=120mm Magic box inner drawer components		
Item code		The complete set basic components includes
Single door	Double doors	1.Plastic bracket Left/Rjght
DA6103ES.040B.(*)	DA6103ED.040B.(*)	2.Inner front cover Left/Right
DA6103ES.045B.(*)	DA6103ED.045B.(*)	3.Aluminium panel
DA6103ES.050B.(*)	DA6103ED.050B.(*)	4.Inner glass panel
DA6103ES.055B.(*)	DA6103ED.055B.(*)	
DA6103ES.060B.(*)	DA6103ED.060B.(*)	
DA6103ES.080B.(*)	DA6103ED.080B.(*)	
DA6103ES.090B.(*)	DA6103ED.090B.(*)	
DA6103ES.100B.(*)	DA6103ED.100B.(*)	
DA6103ES.120B.(*)	DA6103ED.120B.(*)	

Remarks:  
(\*):Color: Matt white (MW) / Dark grey(DG)

## Product



## Suitable for H=120mm inner drawer

1.Plastic bracket Left/Right	
Description	Plastic bracket Left/Rjght <b>DA6101E4.120.(*)</b>
Remarks:(*):Color: Matt white (MW) / Dark grey(DG)	

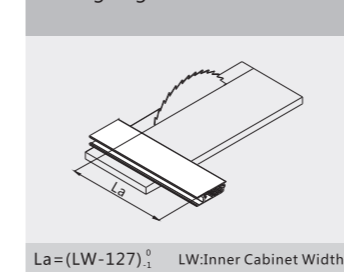
2.Inner front cover Left/Right	
Description	Inner front cover Left/Right <b>DA6102E3.120.(*)</b>
Remarks:(*):Color: Matt white (MW) / Dark grey(DG)	

3.Aluminium panel	
Description	Aluminium panel <b>DA6103E2.(*)A.(*)</b>
Remarks:(*):Cabinet width:040/045/050/055/060/080/090/100/120 (*):Color: Matt white (MW) / Dark grey(DG)	

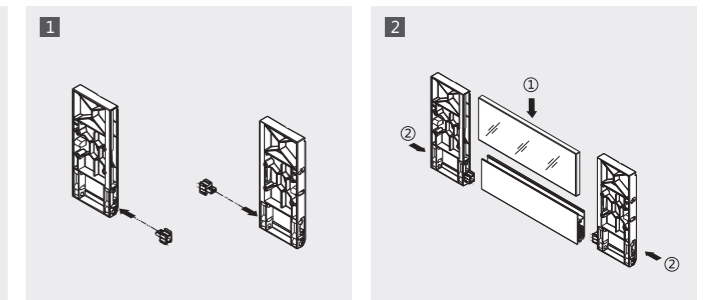
4.Inner glass panel	
Description	Inner glass panel <b>DA6105E1.(*)C.TR</b>
Remarks:(*):Cabinet width:040/045/050/055/060/080/090/100/120	

## Cutting instruction

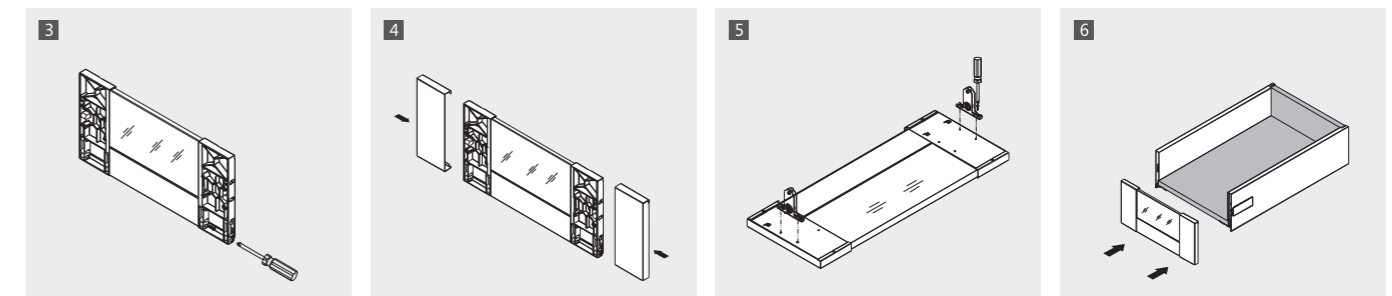
Cutting of glass holder



## Installation instruction



## Installation instruction



# INNER MAGIC BOX

- ▶ H170
- ▶▶ Inner aluminium panel

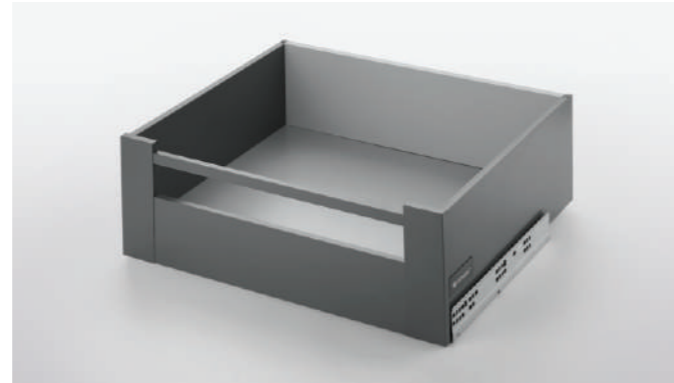
Design	The Installation

## Order information

H=170mm Magic box inner drawer components		
Item code		The complete set basic components includes
Single door	Double doors	1.Plastic bracket Left/Rjght
DA6104ES.040C.(*)	DA6104ED.040C.(*)	2.Inner front cover Left/Right
DA6104ES.045C.(*)	DA6104ED.045C.(*)	3.Aluminium front panel
DA6104ES.050C.(*)	DA6104ED.050C.(*)	4.Inner aluminium bar
DA6104ES.055C.(*)	DA6104ED.055C.(*)	
DA6104ES.060C.(*)	DA6104ED.060C.(*)	
DA6104ES.080C.(*)	DA6104ED.080C.(*)	
DA6104ES.090C.(*)	DA6104ED.090C.(*)	
DA6104ES.100C.(*)	DA6104ED.100C.(*)	
DA6104ES.120C.(*)	DA6104ED.120C.(*)	

Remarks:  
(\*):Color: Matt white (MW) / Dark grey(DG)

## Product



## Suitable for H=170mm inner drawer

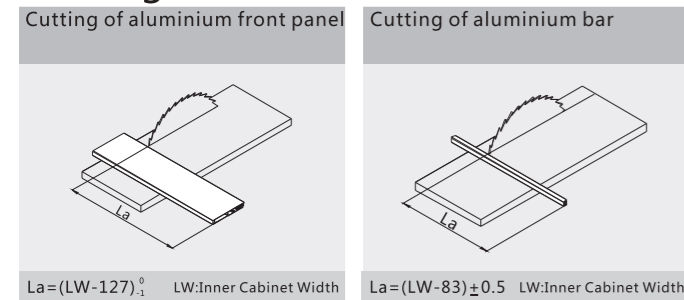
1.Plastic bracket Left/Right	
Description	Plastic bracket Left/Rjght
	DA6101E4.170.(*)
	Remarks:(*):Color: Matt white (MW) / Dark grey(DG)

2.Inner front cover Left/Right	
Description	Inner front cover Left/Right
	DA6102E3.170.(*)
	Remarks:(*):Color: Matt white (MW) / Dark grey(DG)

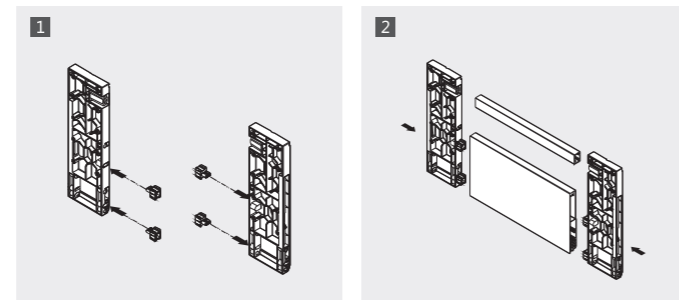
3.Aluminium front panel	
Description	Aluminium front panel
	DA6103E3.(*)A.(*)
	Remarks:(*):Cabinet width:040/045/050/055/060/080/090/100/120 (*):Color: Matt white (MW) / Dark grey(DG)

4.Inner aluminium bar	
Description	Inner aluminium bar
	DA6104E2.(*)C.(*)
	Remarks:(*):Cabinet width:040/045/050/055/060/080/090/100/120 (*):Color: Matt white (MW) / Dark grey(DG)

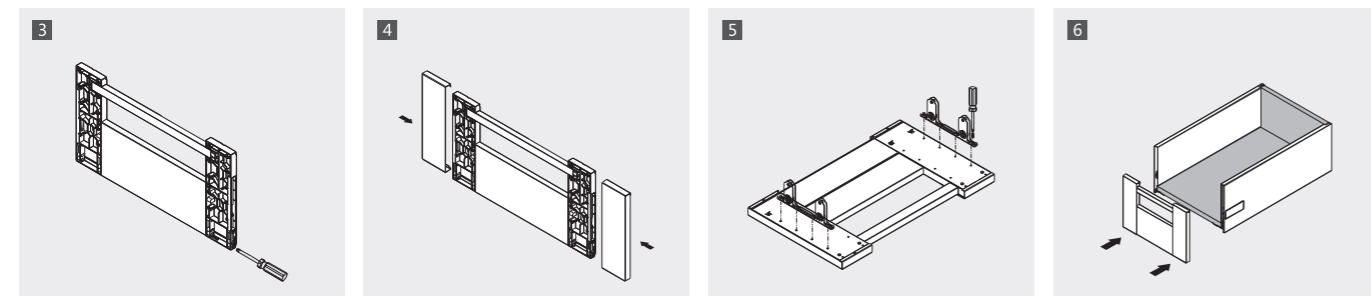
## Cutting instruction



## Installation instruction



## Installation instruction



# INNER MAGIC BOX

- ▶ H170
- ▶▶ Inner glass and aluminium panel

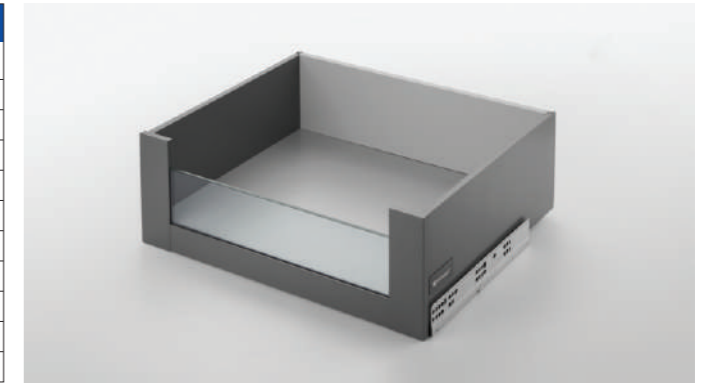
Design	The Installation

## Order information

H=170mm Magic box inner drawer components		
Item code		The complete set basic components includes
Single door	Double doors	1.Plastic bracket Left/Rjght
DA6103ES.040C.(*)	DA6103ED.040C.(*)	2.Inner front cover Left/Right
DA6103ES.045C.(*)	DA6103ED.045C.(*)	3.Aluminium panel
DA6103ES.050C.(*)	DA6103ED.050C.(*)	4.Inner glass panel
DA6103ES.055C.(*)	DA6103ED.055C.(*)	
DA6103ES.060C.(*)	DA6103ED.060C.(*)	
DA6103ES.080C.(*)	DA6103ED.080C.(*)	
DA6103ES.090C.(*)	DA6103ED.090C.(*)	
DA6103ES.100C.(*)	DA6103ED.100C.(*)	
DA6103ES.120C.(*)	DA6103ED.120C.(*)	

Remarks:  
(\*):Color: Matt white (MW) / Dark grey(DG)

## Product



## Suitable for H=170mm inner drawer

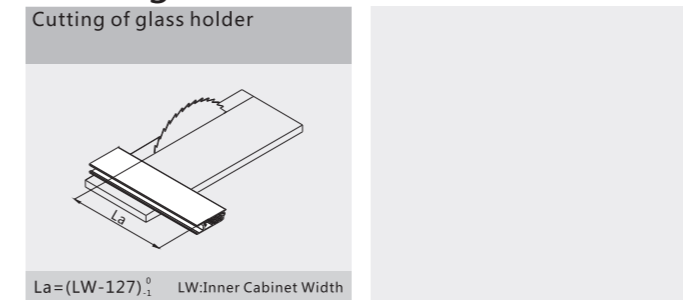
1.Plastic bracket Left/Right	
Description	Plastic bracket Left/Rjght
	DA6101E4.170.(*)
	Remarks:(*):Color: Matt white (MW) / Dark grey(DG)

2.Inner front cover Left/Right	
Description	Inner front cover Left/Right
	DA6102E3.170.(*)
	Remarks:(*):Color: Matt white (MW) / Dark grey(DG)

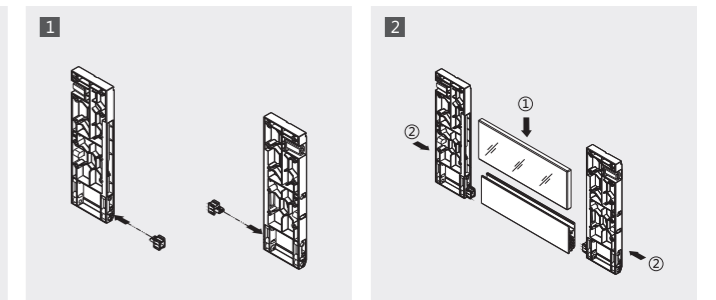
3.Aluminium panel	
Description	Aluminium panel
	DA6103E2.(*)A.(*)
	Remarks:(*):Cabinet width:040/045/050/055/060/080/090/100/120 (*):Color: Matt white (MW) / Dark grey(DG)

4.Inner glass panel	
Description	Inner glass panel
	DA6105E1.(*)C.TR
	Remarks:(*):Cabinet width:040/045/050/055/060/080/090/100/120

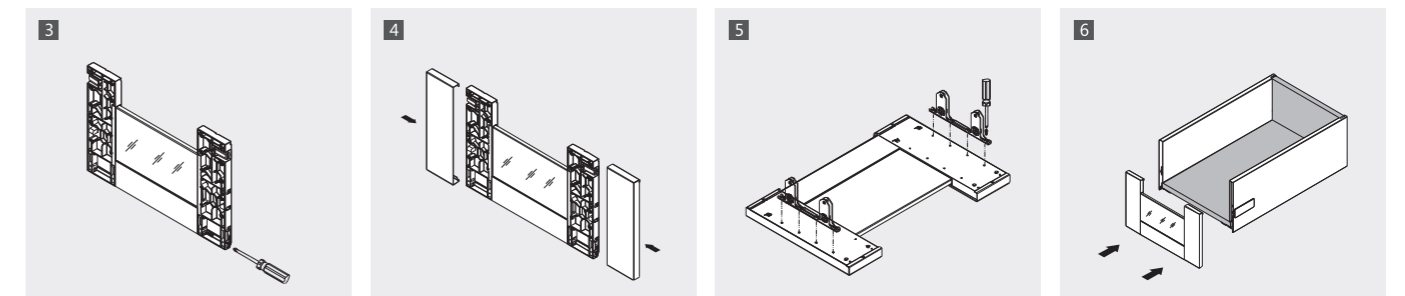
## Cutting instruction



## Installation instruction



## Installation instruction





# MAGIC BOX OF SINK

► H80

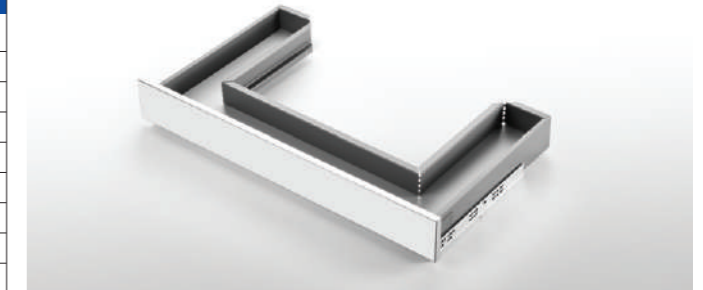
Design

The Installation

## Order information

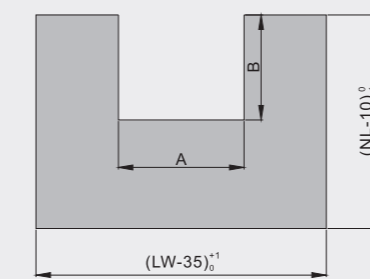
H=80mm Magic box of sink drawer components		
Nominal length	Item code	The complete set basic components includes
350	DA5102E1.(*)A3.(*)	1.Steel under sink
400	DA5102E1.(*)A4.(*)	
450	DA5102E1.(*)A5.(*)	
500	DA5102E1.(*)A6.(*)	
550	DA5102E1.(*)A7.(*)	

## Product



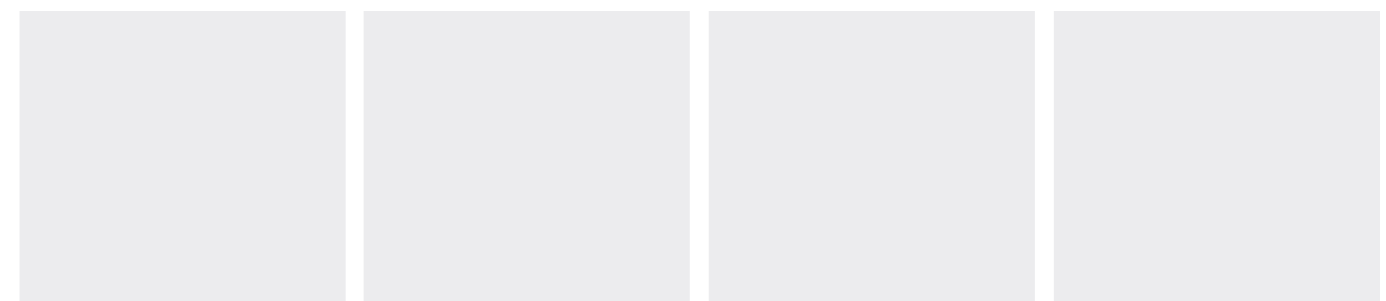
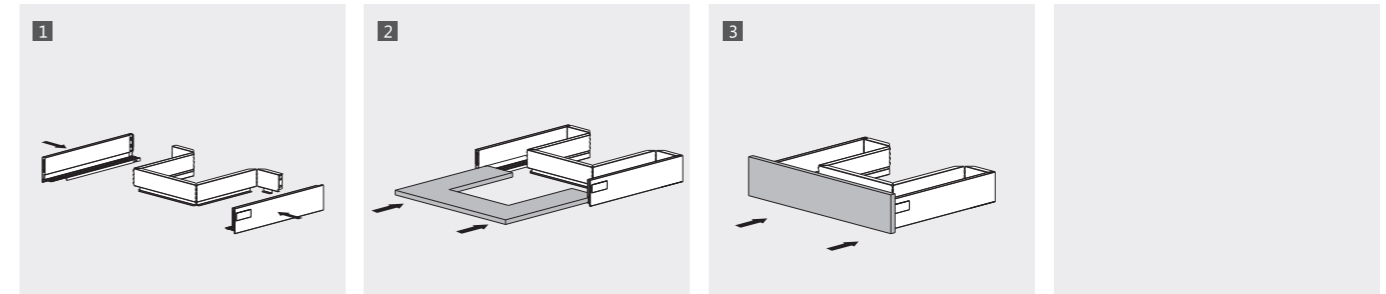
Remarks:  
 (\*):Cabinet width:060/080/090/100/120mm  
 (\*\*):Color: Matt white (MW) / Dark grey(DG)  
 The minimum height for the under sink drawer is 115mm.

## Cutting size -16mm bottom panel



		Thickness of cabinet side panel 18mm									
Cabinet width		600mm		800mm		900mm		1000mm		1200mm	
Nominal length		A	B	A	B	A	B	A	B	A	B
350mm		247mm	273mm	247mm	273mm			447mm	273mm	647mm	273mm
400mm		277mm	253mm	477mm	253mm	577mm	253mm	577mm	253mm	777mm	253mm
450mm		277mm	303mm	477mm	303mm	577mm	303mm	577mm	303mm	777mm	303mm
500mm		277mm	353mm	477mm	353mm	577mm	353mm	577mm	353mm	777mm	353mm
550mm		277mm	403mm	477mm	403mm	577mm	403mm	577mm	403mm	777mm	403mm

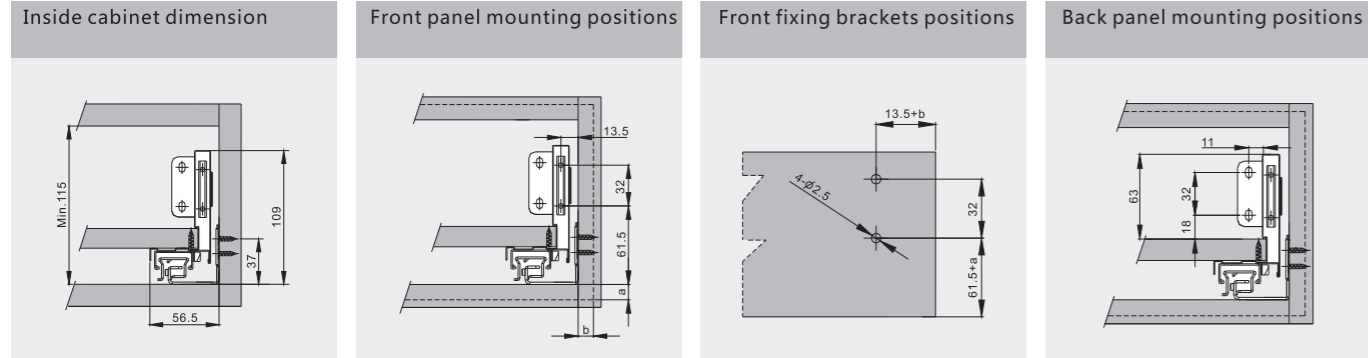
## Installation instruction



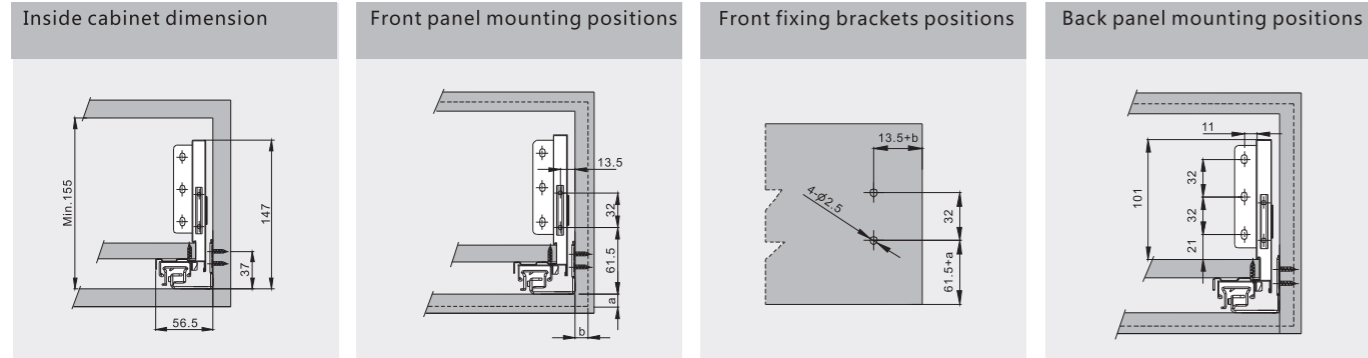
# INSTALLATION INSTRUCTION

## ► Magic box

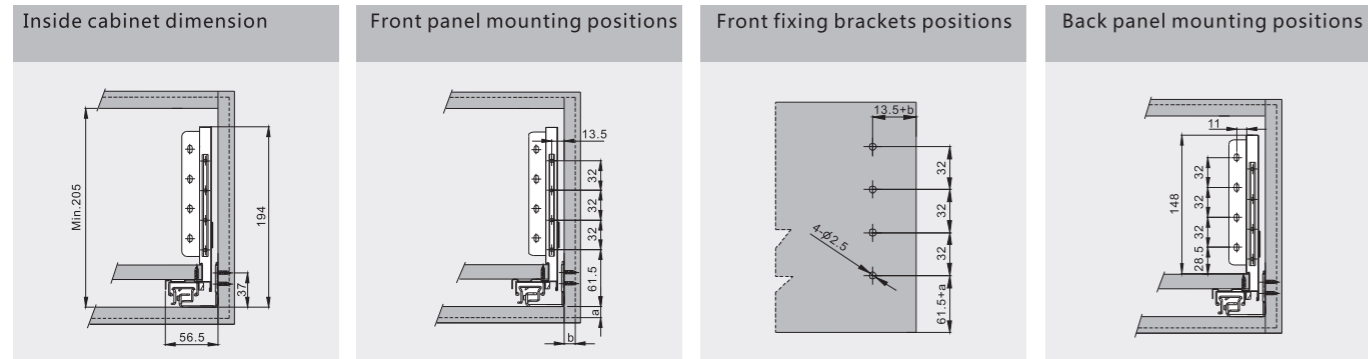
### H=80mm Installation instruction



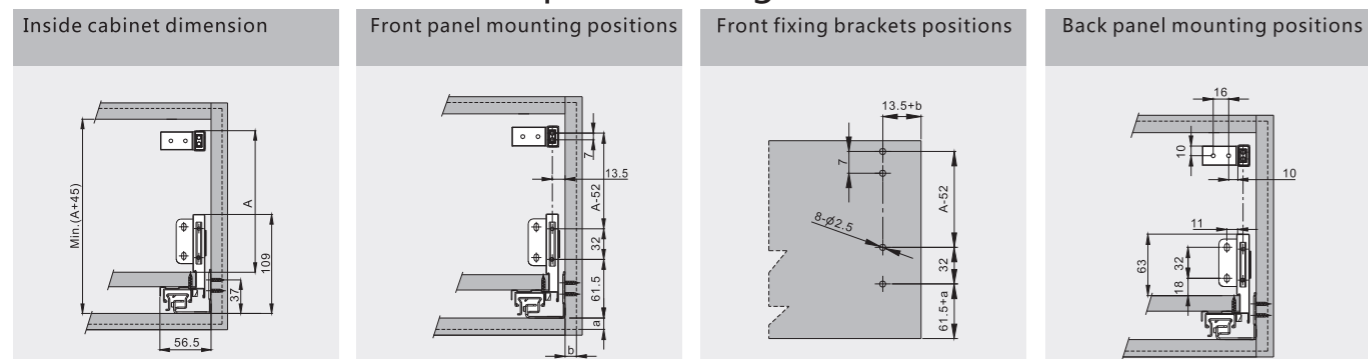
### H=120mm Installation instruction



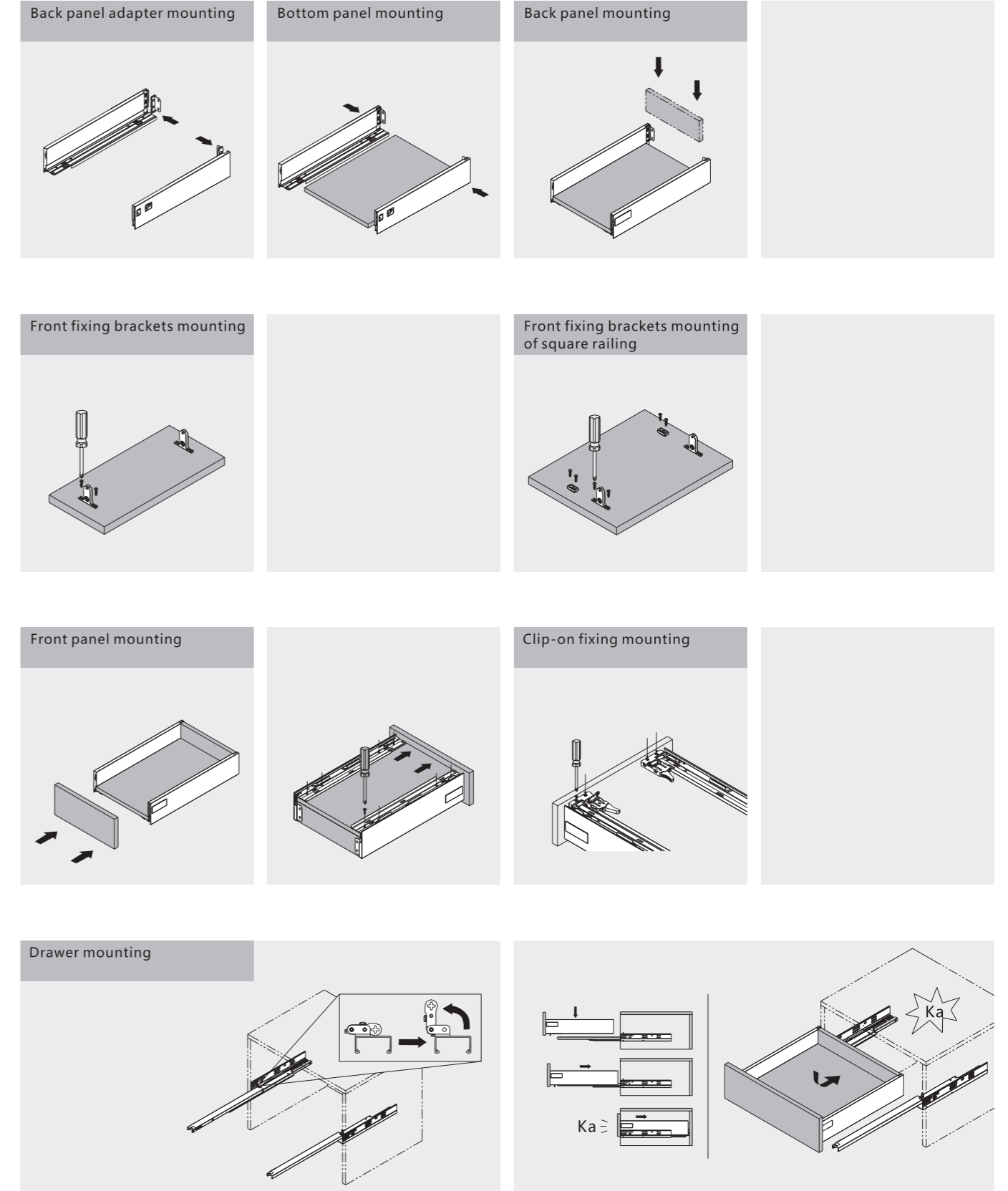
### H=170mm Installation instruction



### H=170mm Installation of square railing

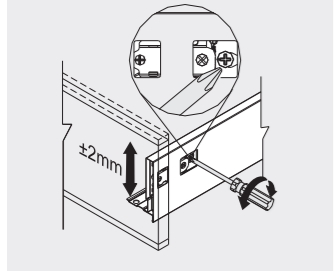


### Installation instruction

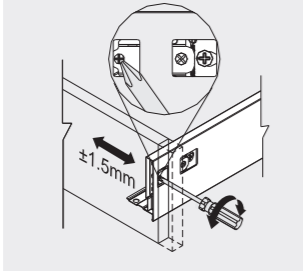


# INSTALLATION INSTRUCTION

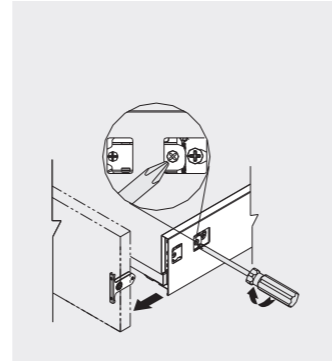
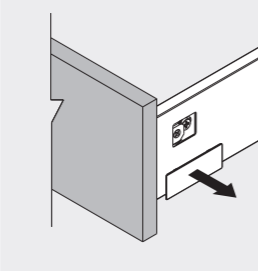
Front panel height adjustment: ±2mm



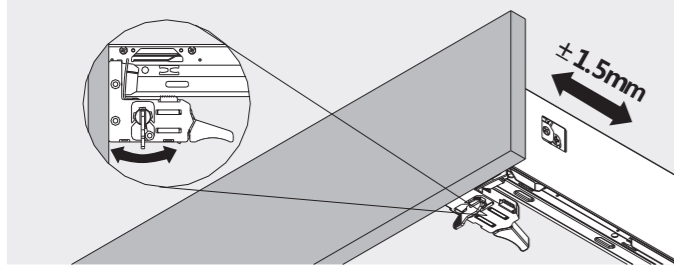
Front panel side adjustment: Left 1.5mm/Right 1.5mm



Front panel disassembly

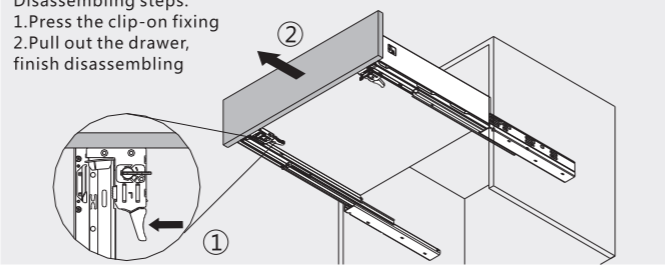


Adjustment of front panel: ±1.5mm



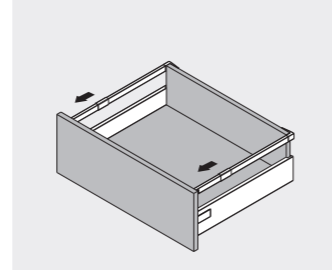
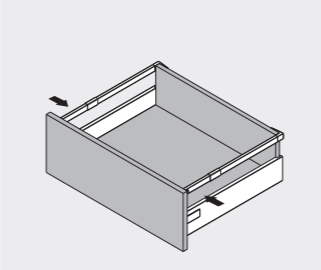
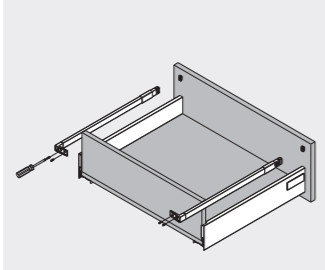
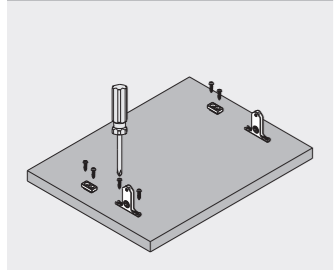
Drawer box disassembly

Disassembling steps:  
1. Press the clip-on fixing  
2. Pull out the drawer, finish disassembling

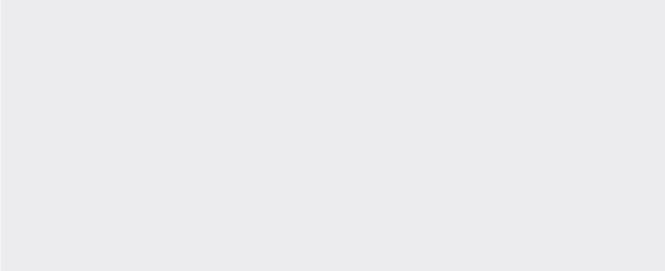
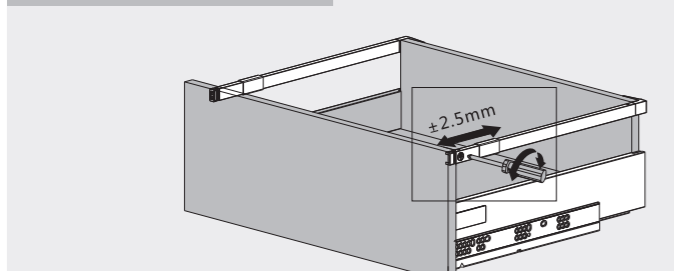


## H=170mm Installation of square railing

Front fixing brackets mounting

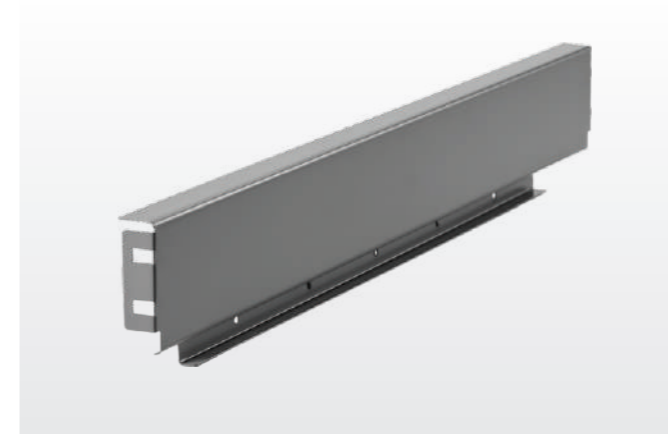


Adjustment of square railing



# STEEL BACK PANEL

Design The Installation



Remarks:  
(\*) Cabinet Width: 040/045/050/055/060/090/100/120  
(\*) Color: Matt white (MW) / Dark grey (DG)

### H=80mm Steel back panel

Description	H=80mm Steel back panel DA1104E.(*)A.(*)
-------------	---

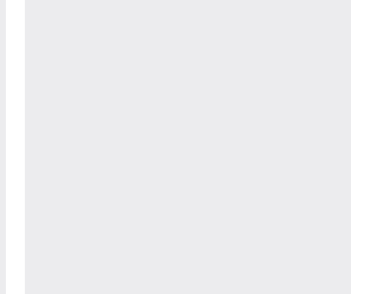
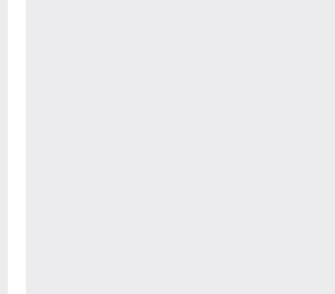
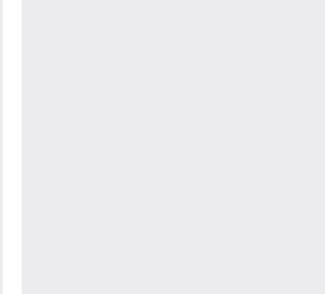
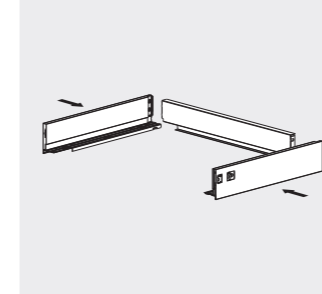
### H=120mm Steel back panel

Description	H=120mm Steel back panel DA1104E.(*)B.(*)
-------------	--

### H=170mm Steel back panel

Description	H=170mm Steel back panel DA1104E.(*)C.(*)
-------------	--

## Installation of steel back panel



# ANTI-SLIP MAT

### Small granulous anti-slip mat

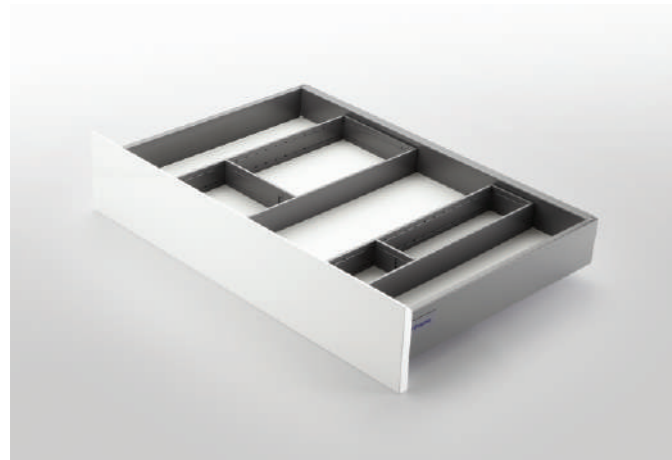
Description	Small granulous anti-slip mat DA1105C1.(*)().GR
-------------	--

Remarks:  
(\*) Cabinet Width: 040/045/050/055/060/090/100/120mm  
(\*) Nominal length: 1=270/2=300/3=350/4=400/5=450/6=500/7=550mm

### Big granulous anti-slip mat

Description	Big granulous anti-slip mat DA1105C3.(*)().GR
-------------	--

Remarks:  
(\*) Cabinet Width: 040/045/050/055/060/090/100/120mm  
(\*) Nominal length: 1=270/2=300/3=350/4=400/5=450/6=500/7=550mm



## Steel divider system

- High quality steel panel,durable in use
- Scientifically and reasonably dividing the internal space
- Perfect function of drawer
- Fashionable,beautiful and modern
- Freely assembling with two heights:50mm & 100mm

## 50mm steel divider system

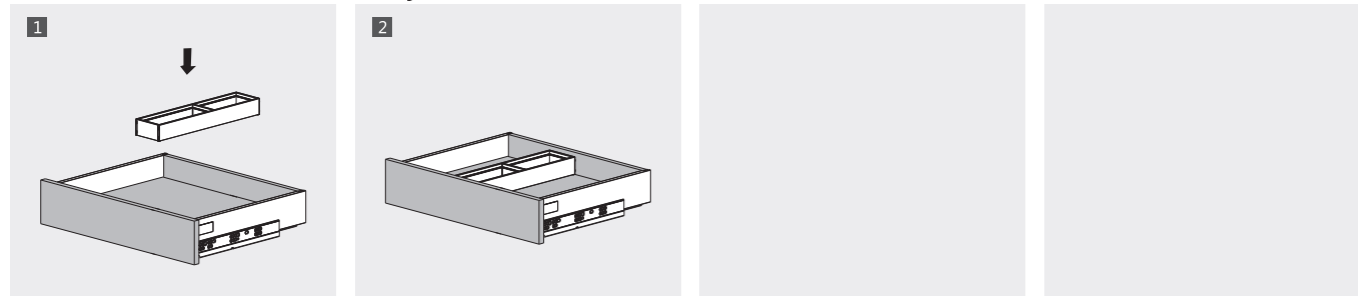
50mm steel divider system			
Description	Nominal length	Size	Item code
	270 mm	244X100/244X200	DA3401E1.270.(*)/DA3401E2.270.(*)
	300 mm	274X100/274X200	DA3401E1.300.(*)/DA3401E2.300.(*)
	350 mm	324X100/324X200	DA3401E1.350.(*)/DA3401E2.350.(*)
	400 mm	374X100/374X200	DA3401E1.400.(*)/DA3401E2.400.(*)
	450 mm	424X100/424X200	DA3401E1.450.(*)/DA3401E2.450.(*)
	500mm	474X100/474X200	DA3401E1.500.(*)/DA3401E2.500.(*)
	550 mm	524X100/524X200	DA3401E1.550.(*)/DA3401E2.550.(*)
		242X270	DA3401E3.(*)
		W=100	DA3401E1.D.(*)
		W=200	DA3401E2.D.(*)
		W=270	DA3401E3.D.(*)

## 100mm steel divider system with magnet

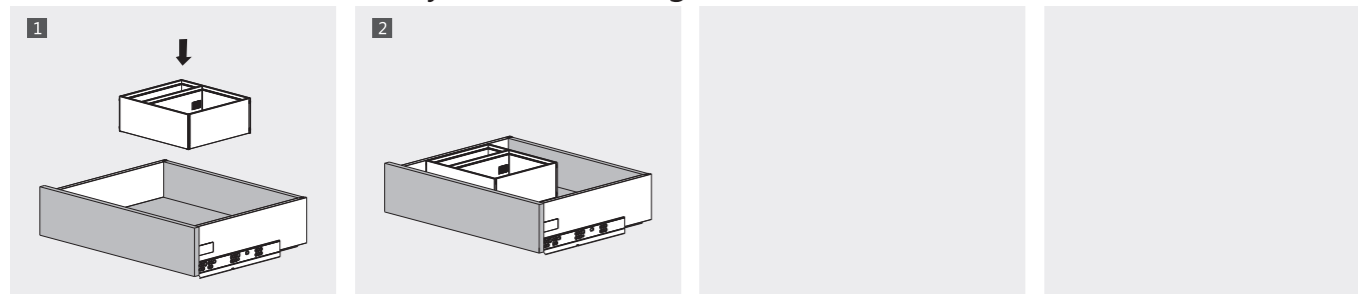
100mm steel divider system		
Description	Size	Item code
	218X370	DA3402E1.(*)
	242X270	DA3402E2.(*)
	D=206	DA3402E1.D.(*)
	D=230	DA3402E2.D.(*)

Remarks:  
(\*):Color: Matt white (MW) / Dark grey(DG)

## H=50mm steel divider system(Suitable for H=80/120mm drawer)



## H=100mm steel divider system with magnet(Suitable for H=120/170mm drawer)



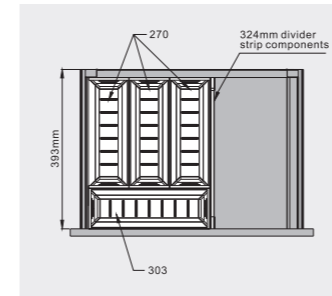
## Stainless steel divider system

- Used high quality stainless steel material
- Humanity design with utility internal space
- More functional drawer system
- Fashional and modern

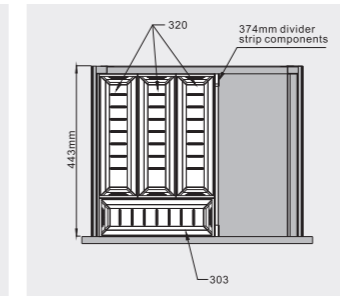
Stainless steel divider box		
Description	Length	Stainless steel divider box
	202 mm	DA3301C1.202.SS
	270 mm	DA3301C1.270.SS
	303 mm	DA3301C1.303.SS
	320 mm	DA3301C1.320.SS

Aluminum divider components		
Description	Length	Aluminum divider components
	324 mm	DA3103C1.324.(*)
	374 mm	DA3103C1.374.(*)
	424 mm	DA3103C1.424.(*)
	474 mm	DA3103C1.474.(*)
	Remarks:(*):Color: Matt white (MW) / Dark grey(DG)	

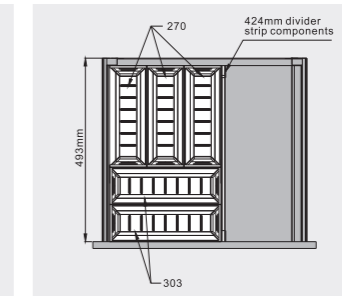
## Assembly solution for L 400mm



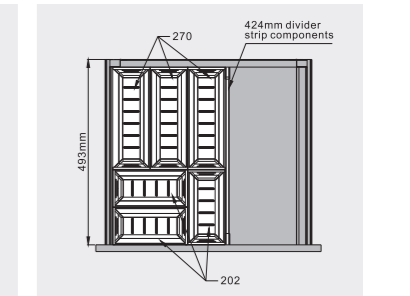
## Assembly solution for L 450mm



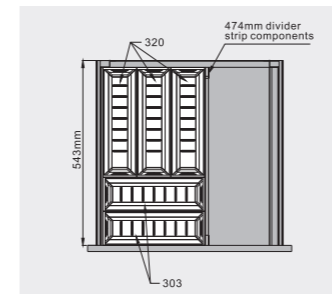
## Assembly solution I for L 500mm



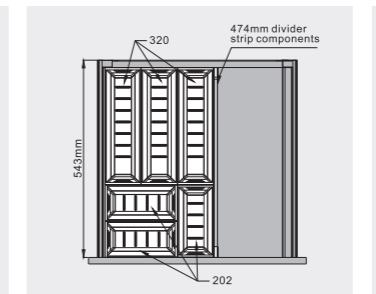
## Assembly solution II for L 500mm



## Assembly solution I for L 550mm



## Assembly solution II for L 550mm

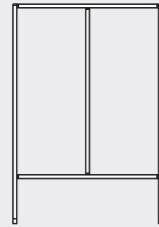




## Aluminium divider system

- High quality aluminium material,durable in use
- Scientifically and reasonably dividing the internal space
- Perfect function of drawer
- Fashionable,beautiful and modern
- Full range of size for freely assembling

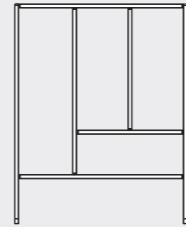
### Cabinet width:400mm



Nominal length	Item code	Size
450mm	DA3104E.0405.(*)	424*323
500mm	DA3104E.0406.(*)	474*323

Remarks:(\*):Color: Matt white (MW) / Dark grey(DG)

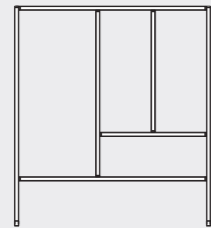
### Cabinet width:450mm



Nominal length	Item code	Size
450mm	DA3104E.0455.(*)	424*373
500mm	DA3104E.0456.(*)	474*373

Remarks:(\*):Color: Matt white (MW) / Dark grey(DG)

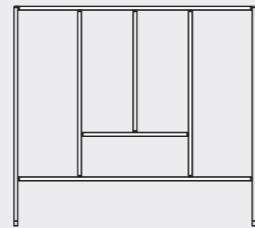
### Cabinet width:500mm



Nominal length	Item code	Size
450mm	DA3104E.0505.(*)	424*423
500mm	DA3104E.0506.(*)	474*423

Remarks:(\*):Color: Matt white (MW) / Dark grey(DG)

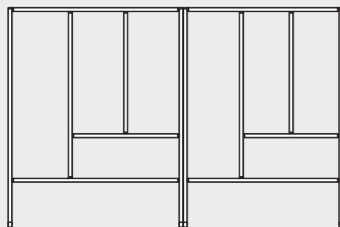
### Cabinet width:600mm



Nominal length	Item code	Size
450mm	DA3104E.0605.(*)	424*523
500mm	DA3104E.0606.(*)	474*523

Remarks:(\*):Color: Matt white (MW) / Dark grey(DG)

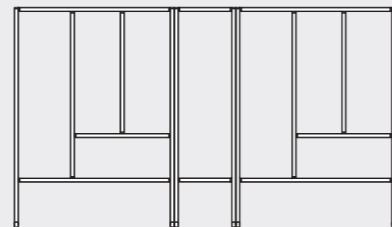
### Cabinet width:800mm



Nominal length	Item code	Size
450mm	DA3104E.0805.(*)	424*723
500mm	DA3104E.0806.(*)	474*723

Remarks:(\*):Color: Matt white (MW) / Dark grey(DG)

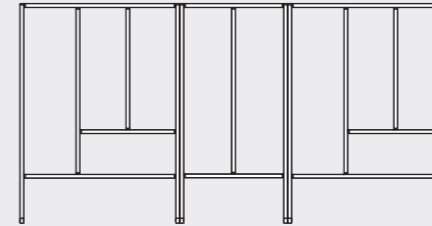
### Cabinet width:900mm



Nominal length	Item code	Size
450mm	DA3104E.0905.(*)	424*823
500mm	DA3104E.0906.(*)	474*823

Remarks:(\*):Color: Matt white (MW) / Dark grey(DG)

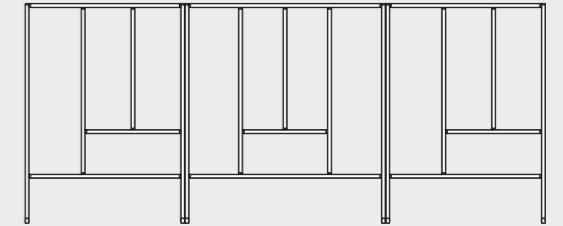
### Cabinet width:1000mm



Nominal length	Item code	Size
450mm	DA3104E.1005.(*)	424*923
500mm	DA3104E.1006.(*)	474*923

Remarks:(\*):Color: Matt white (MW) / Dark grey(DG)

### Cabinet width:1200mm



Nominal length	Item code	Size
450mm	DA3104E.1205.(*)	424*1123
500mm	DA3104E.1206.(*)	474*1123

Remarks:(\*):Color: Matt white (MW) / Dark grey(DG)

# WOODEN KNIFE AND FORK SET OF MAGIC BOX

Design

## Wooden knife and fork set of magic box



- Wooden Material: Solid beech
- Mocca and White Material: MDF
- Free adjustment 450mm~650mm , 800mm~1200mm
- Color: Wooden (WD) / Mocca(MCA)

450-650mm wooden knife and fork set of magic box		
Description	450-650mm wooden knife and fork set of magic box	Item code
	Cabinet width:450-650mm    Nominal length:450mm	<b>DA3201C1.0655.(*)</b>
	Cabinet width:450-650mm    Nominal length:500mm	<b>DA3201C1.0656.(*)</b>

Remarks:  
(\*):Color: White (WT) / Wooden(WD)/Mocca(MCA)

800-1200mm wooden knife and fork set of magic box		
Description	800-1200mm wooden knife and fork set of magic box	Item code
	Cabinet width:800-1200mm    Nominal length:450mm	<b>DA3201C1.1205.(*)</b>
	Cabinet width:800-1200mm    Nominal length:500mm	<b>DA3201C1.1206.(*)</b>

Remarks:  
(\*):Color: White (WT) / Wooden(WD)/Mocca(MCA)

# SQUARE BAR DIVIDER SYSTEM

Design

## Square bar divider system



- High quality steel material,eco-friendly plastic material, durable in use
- Space adjustment at will,scientifically and reasonably dividing the internal space
- Perfect function of drawer
- Fashionable,beautiful and modern
- Applicable for 80mm/120mm/170mm standard and inner Magic box
- Applicable for higher Unibox with railing,P2.39

## Long square bar divider

Long square bar divider(Maximum length 2800mm,cutttable)		
Description	Cabinet width	Item code
	400 mm	<b>DA3101E1.040.(*)</b>
	450 mm	<b>DA3101E1.045.(*)</b>
	500 mm	<b>DA3101E1.050.(*)</b>
	600 mm	<b>DA3101E1.060.(*)</b>
	900 mm	<b>DA3101E1.090.(*)</b>
	1000mm	<b>DA3101E1.100.(*)</b>
	1200 mm	<b>DA3101E1.120.(*)</b>
		<b>DA3101E3.(*)</b>

Remarks:(\*):Color: Matt white (MW) / Dark grey(DG)

## Short divider

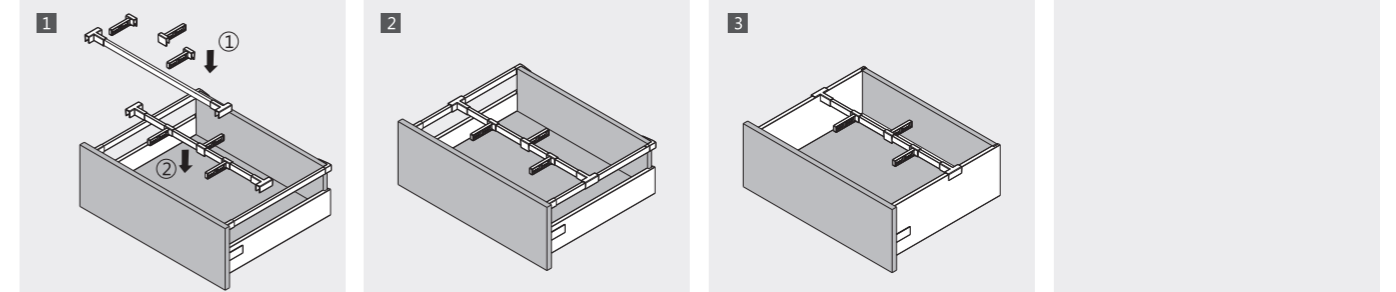
Short divider	
Description	Item code
	<b>DA3101E2.(*)</b>

Remarks:(\*):Color: Matt white (MW) / Dark grey(DG)

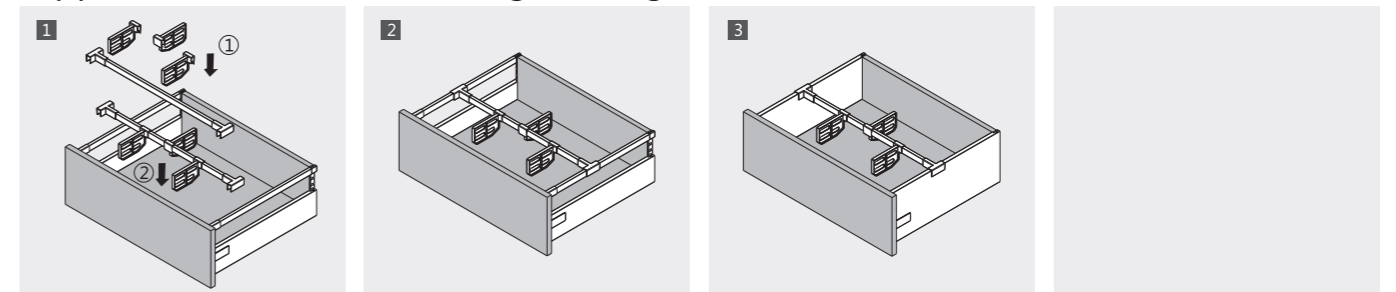
Short divider	
Description	Item code
	<b>DA3101E4.(*)</b>

Remarks:(\*):Color: Matt white (MW) / Dark grey(DG)

## Installation of the long square bar divider -applicable for standard or higher magic box

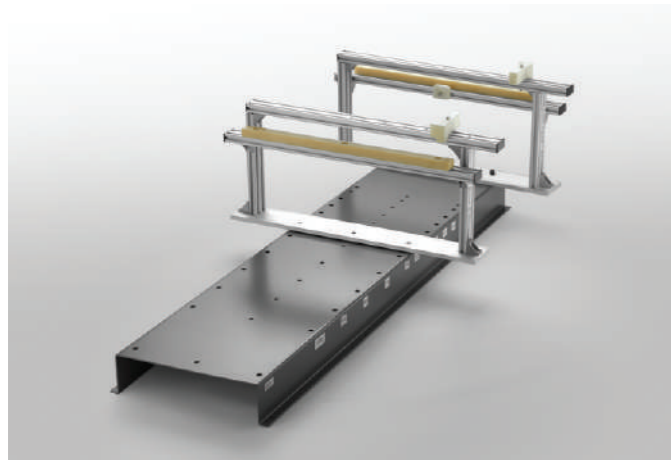


## Installation of the long square bar divider -applicable for standard or higher magic box



# ASSEMBLING BENCH FOR MAGIC BOX BOTTOM PANEL

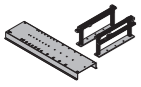
Design



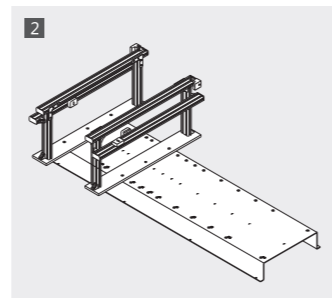
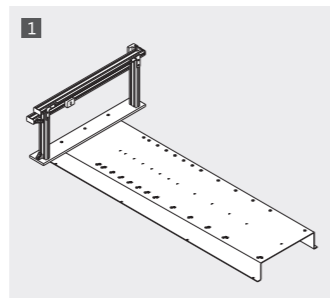
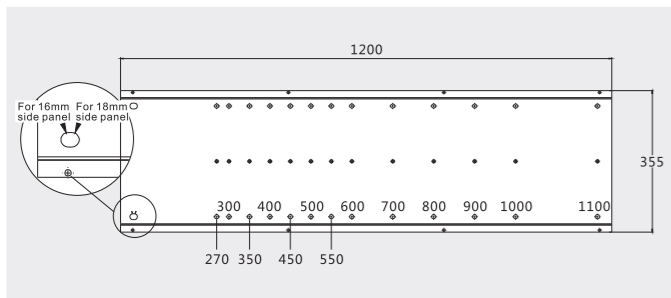
## Assembling bench for magic box Bottom panel

- Applicable for Magic box bottom panel
- Assembling bracket can adjust width and height
- Make the assembling of bottom panel simple

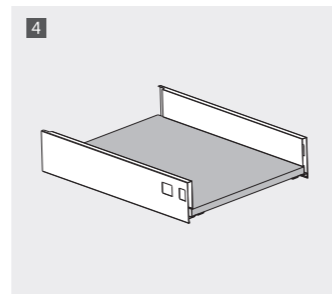
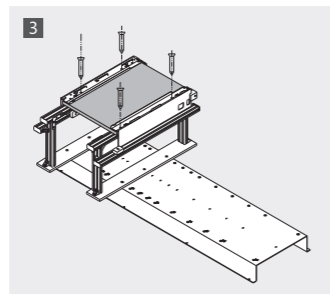
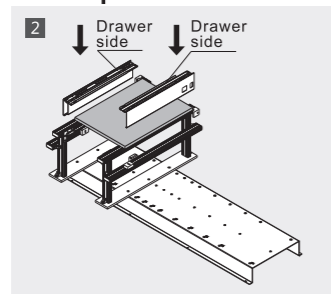
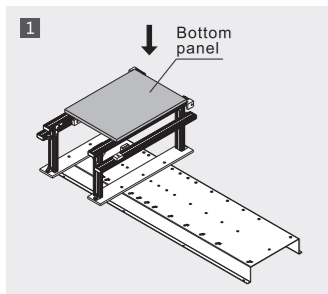
### Assembling bench for magic box bottom panel

Description	Item code
	<b>DA7101E1</b>

## Assemble the bench

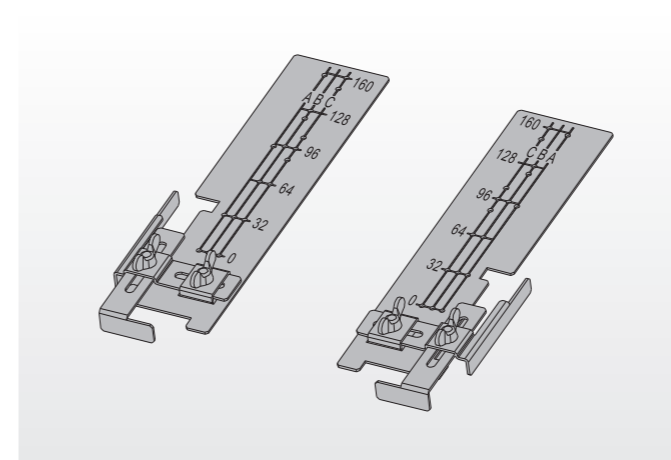


## Assemble the bottom panel



# ASSEMBLING FIXTURE FOR FRONT PANEL

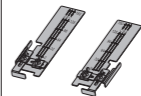
Design



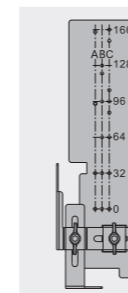
## Assembling fixture for front panel

- Applicable for Magic box, Unibox and Drawer box
- Make the assembling of front panel simple

### Assembling fixture for front panel

Description	Item code
	<b>DA7101E2</b>

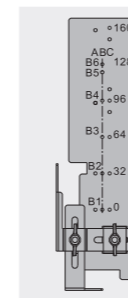
## Instruction of the holes



Holes in line A is used standard and high Drawer box  
Holes in line B is used for standard and high Magic box  
Holes in line C is used for standard and high Unibox



A1 & A2 are used to drill the holes for front brackets of H80mm drawer box  
A3 is used to drill the holes for railings of H130mm drawer box  
A4 is used to drill the holes for railings of H190mm drawer box

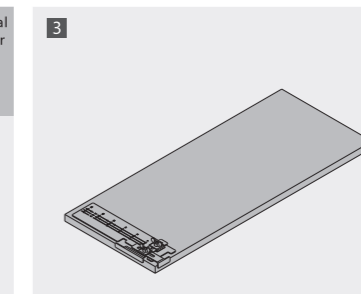
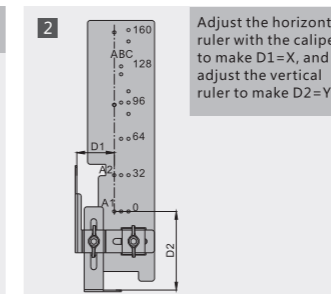
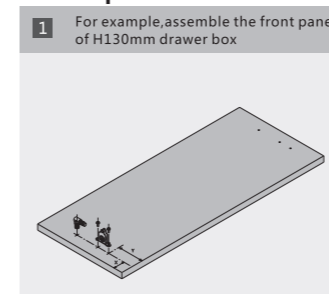


B1 & B2 are used to drill the holes for front brackets of H80mm&120mm Magic box  
B3&B4 is used to drill the holes for the front brackets of H70MM Magic box  
B5&B6 are used to drill the holes for the railings of H170mm Magic box



C1 & C2 are used to drill the holes for front brackets of H80mm Unibox  
C5&C3 are used to drill the holes for the glass panel of H130mm Unibox  
C5&C4 are used to drill the holes for the railings of H130mm Unibox  
C5, C6, C7&C8 are used to drill the holes for double railings of H190mm Unibox  
C7&C8 are used to drill the holes for the single railings of H190mm Unibox

## Sample



Put the assembling fixture on the front panel (horizontal ruler close to the left side of the front panel, vertical ruler close to the bottom of front panel), then mark the holes of A1, A2&A3 and drill the holes accordingly. Use the right fixture on the right side of front panel in the same way.